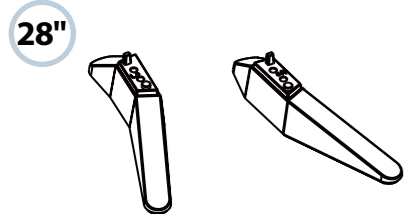


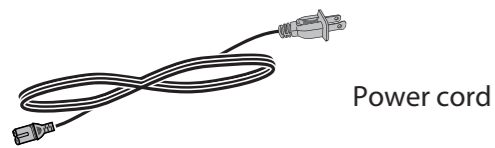
INCLUDED ACCESSORIES



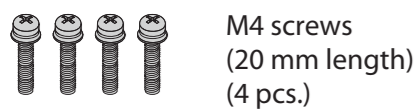
Remote control and two AAA batteries



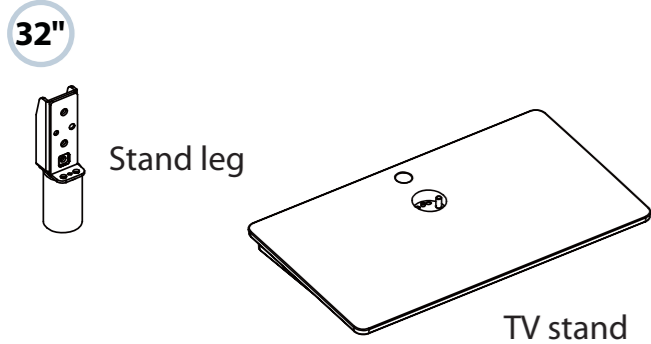
28" TV stands



Power cord



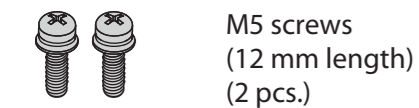
M4 screws (20 mm length) (4 pcs.)



32" Stand leg TV stand



M4 screws (8 mm length) (4 pcs.)



M5 screws (12 mm length) (2 pcs.)

FIND YOUR USER GUIDE ONLINE!
Go to www.tv.toshiba.com and follow the online instructions.

WARNING: To reduce the risk of fire or electric shock, do not expose this apparatus to rain or moisture.



The lightning flash with arrowhead symbol within an equilateral triangle is intended to alert the user to the presence of uninsulated "hazardous voltage" within the product's enclosure, which may be of sufficient magnitude to induce a risk of electric shock to persons.

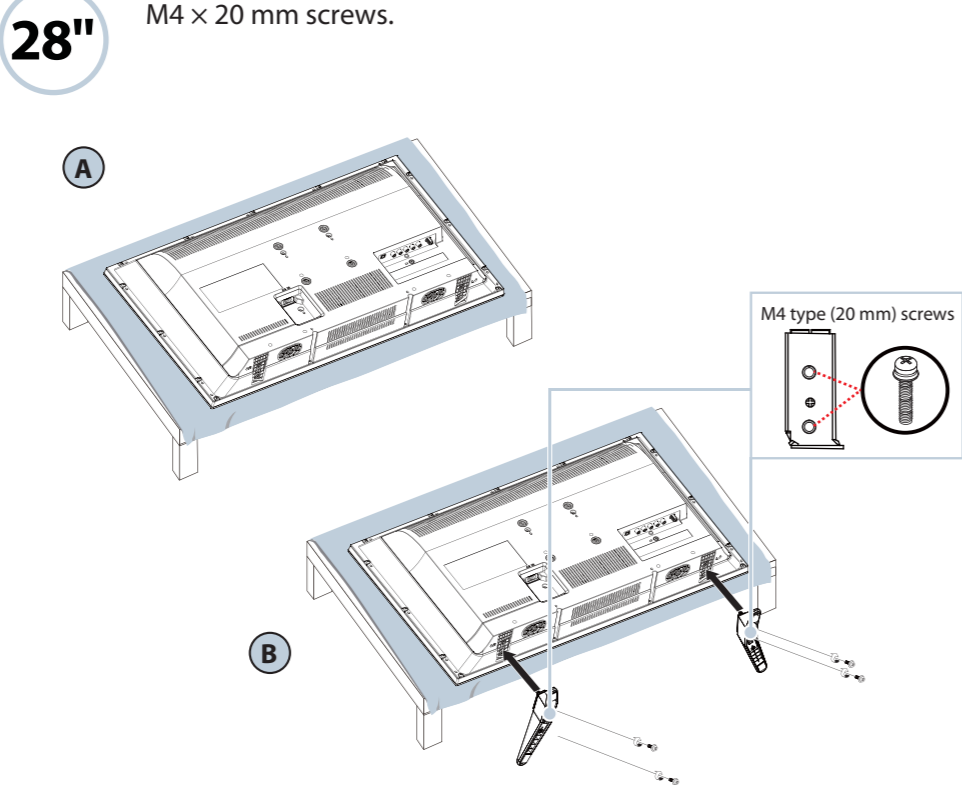
The exclamation mark inside an equilateral triangle is intended to alert the user to the presence of important operating and maintenance (servicing) instructions in the literature accompanying the product.

IMPORTANT: See the online User Guide before installing the TV on a wall.
URL: www.tv.toshiba.com

1 START HERE

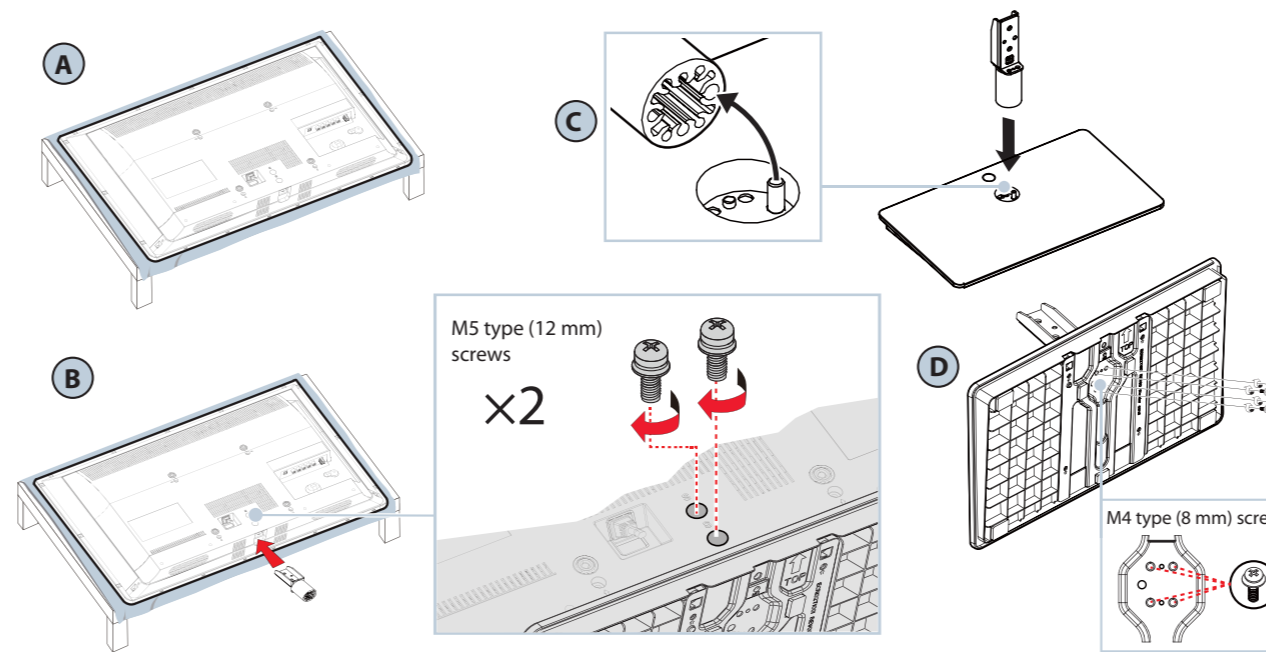
How do I attach the stand to my TV? (not for wall mounting)
You'll need: Soft surface and a Phillips screwdriver.

- A Carefully place your TV face-down on a cushioned, clean surface.
- B Secure each TV stand to the back of your TV with two of the provided M4 × 20 mm screws.



32"

- A Carefully place your TV face-down on a cushioned, clean surface.
- B Secure the TV stand leg to the back of your TV with the two provided M5 × 12 mm screws (the long screws).
- C Insert the stand leg into the hole in the stand. Make sure that the post on the TV stand fits into the hole on the leg.
- D Secure the leg to the stand with the four provided M4 × 8 mm screws (the short screws).



WALL MOUNT

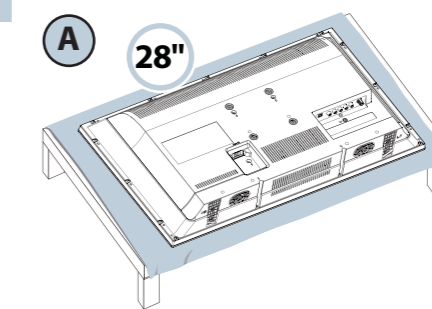
How do I prepare my TV for wall mounting? (not for use with a TV stand)
You'll need: Soft surface

Before you mount your TV, make sure that:

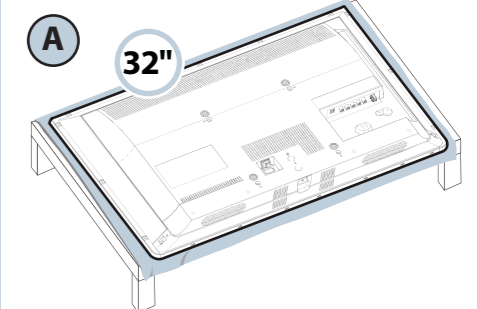
- You remove the stand.
- The wall-mount bracket is listed by an independent laboratory (such as UL, CSA, or ETL).
- The bracket supports the weight of your TV.

- A Carefully place your TV face-down on a cushioned, clean surface.
- B See the instructions that came with your wall mount for more information about how to correctly mount your TV.

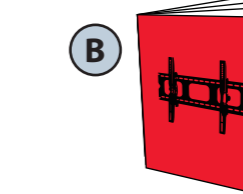
OR



VESA Mounting Pattern
VESA mount (mm): 100 × 100 - M4 Type screws



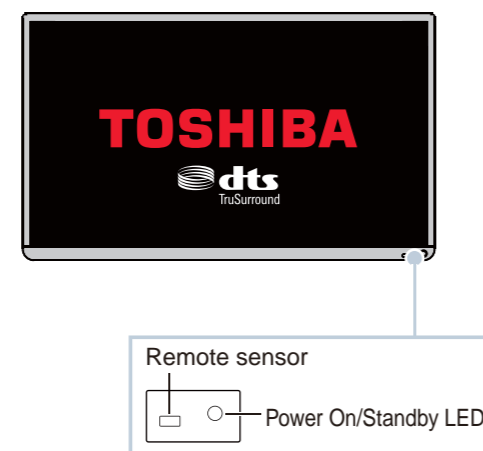
VESA Mounting Pattern
VESA mount (mm): 200 × 200 - M6 Type screws



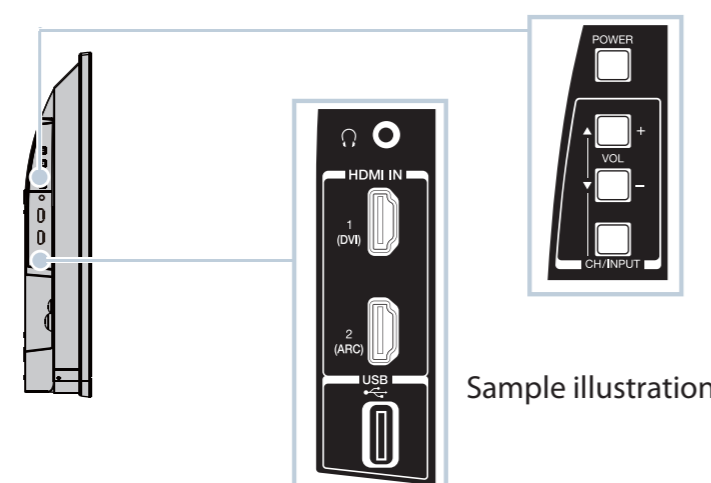
Your TV has four VESA mounting holes on the back. If you attach a wall-mount bracket to the back of your TV, the bracket must be securely attached, using all four holes. If you do not use all four mounting holes, your TV may fall and cause property damage or personal injury. See the documentation that came with your wall mount for complete mounting instructions.

FEATURES

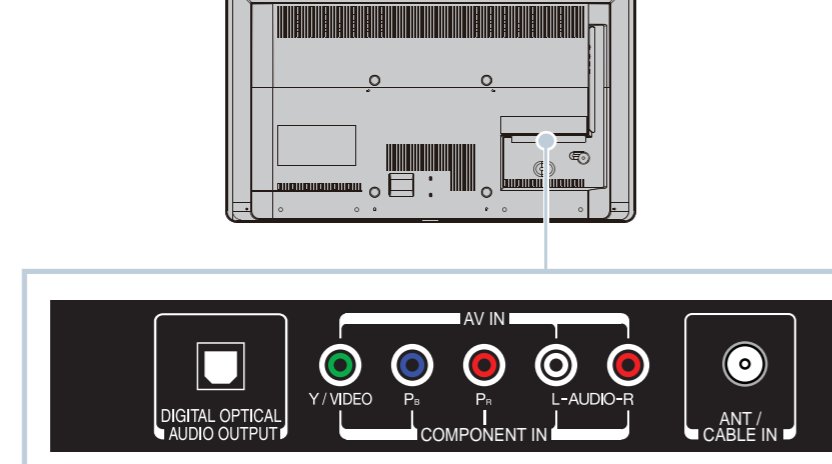
Front



Left side



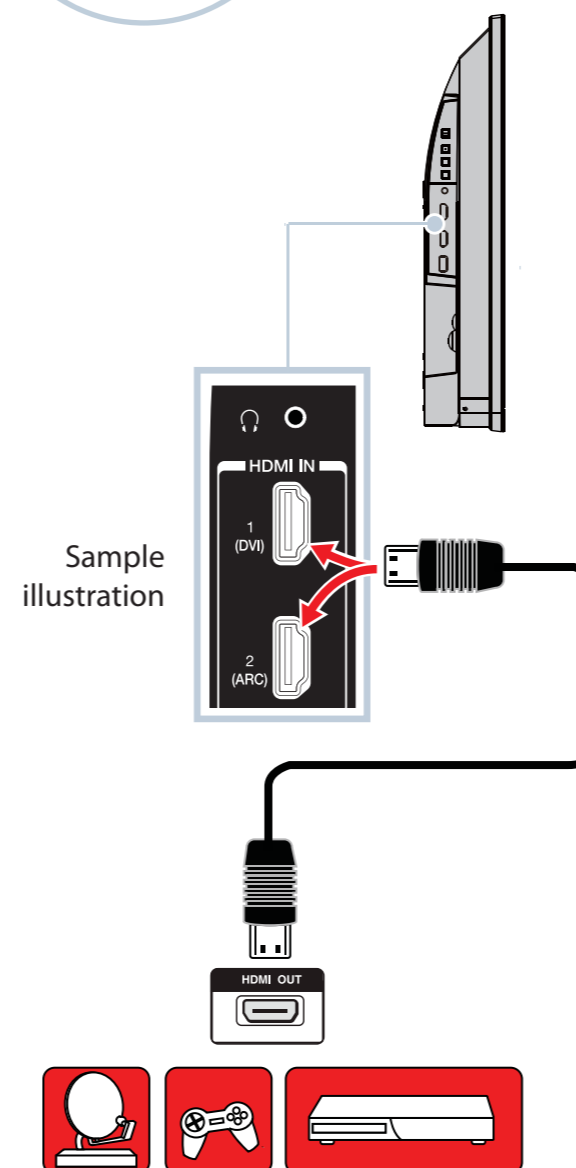
Back



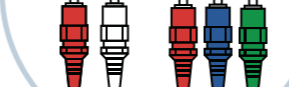
2 MAKING CONNECTIONS

How do I watch TV (cable, satellite, or antenna) or connect a device such as a DVD or Blu-ray disc player or game console?

HDMI (BEST)
Best video quality



COMPONENT (BETTER)

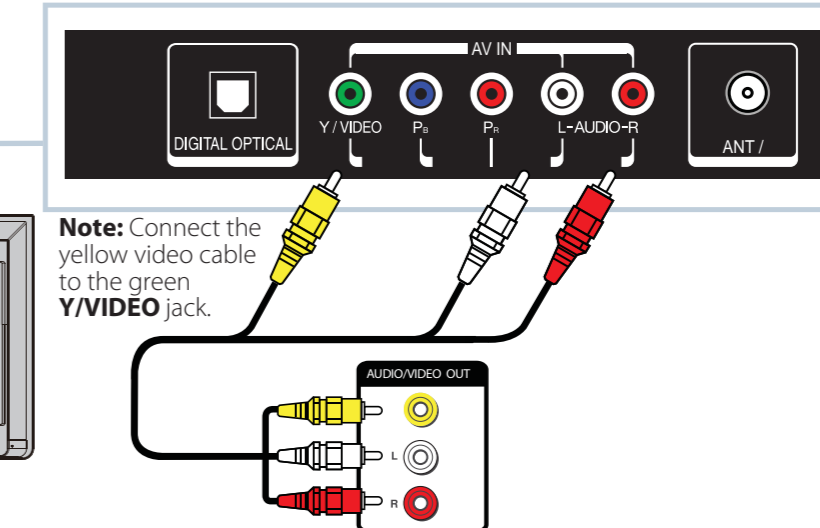
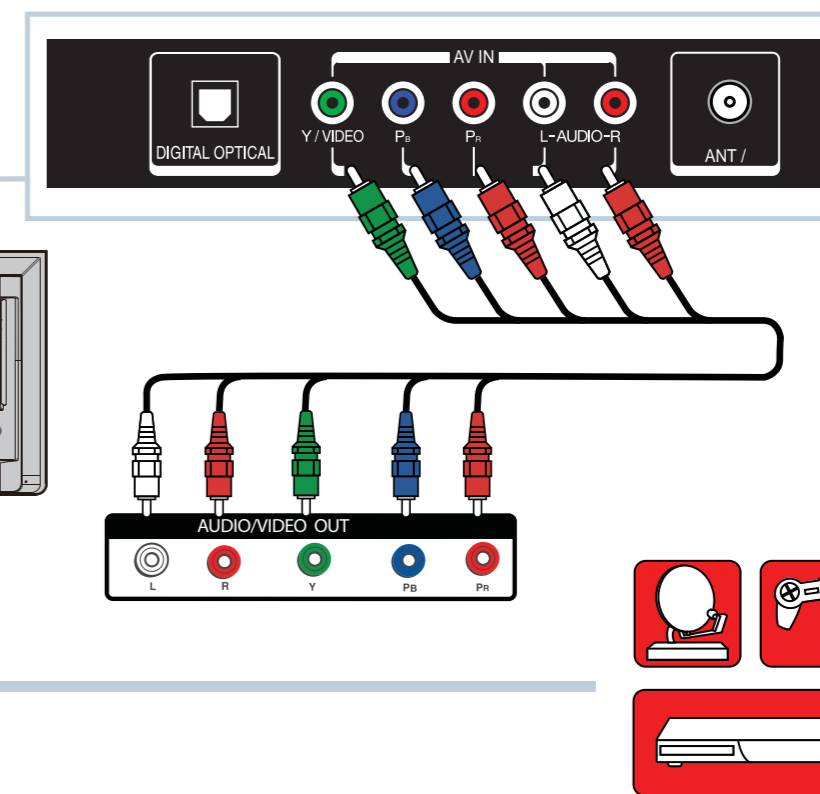


Note: The component and AV jacks are shared. This means you can connect only one component or AV device at a time. We suggest upgrading to HDMI (BEST) if your device supports it.

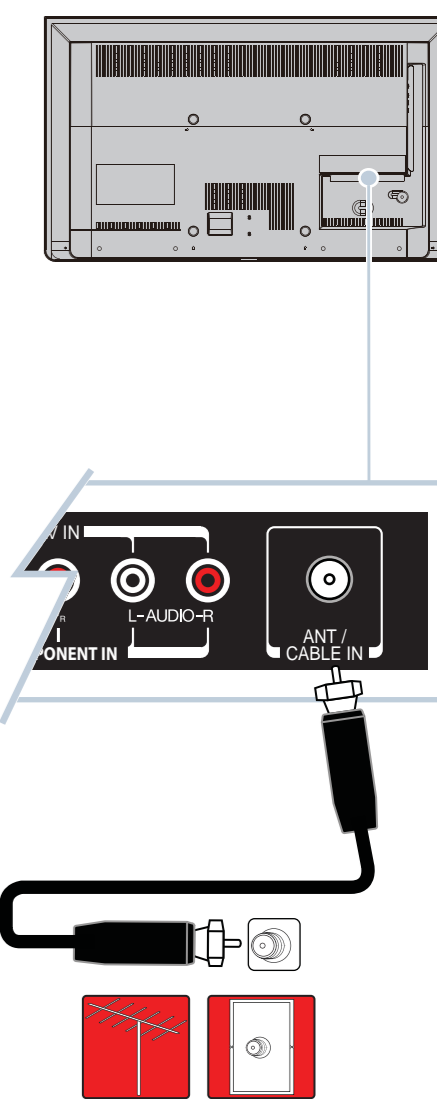
AV (GOOD)



OR



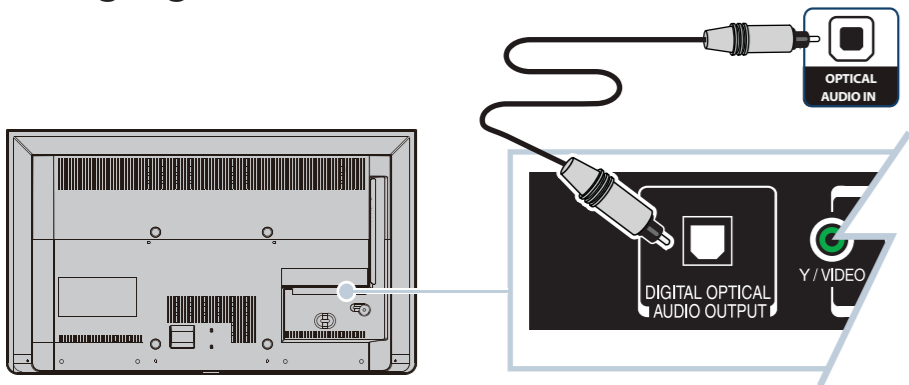
Coaxial (GOOD)



3 CONNECTING EXTERNAL SPEAKERS

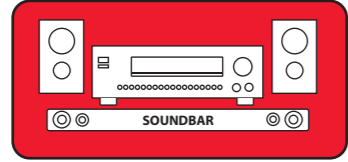
How do I connect my TV to external speakers?

Using digital audio

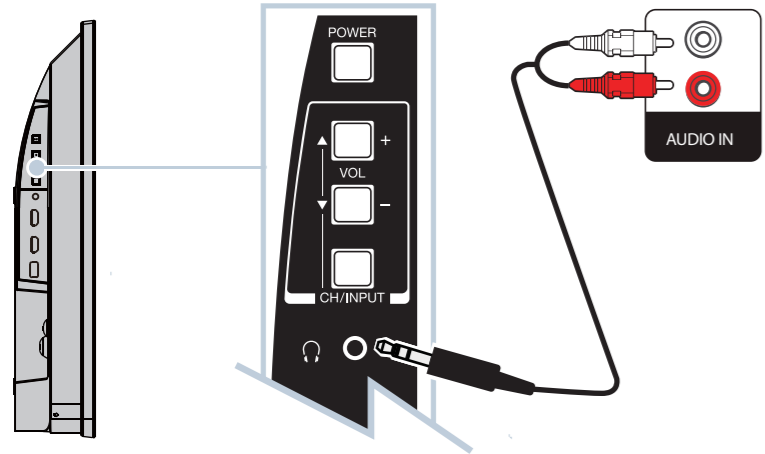


OR

Note: See the instructions that came with your speakers for more information.



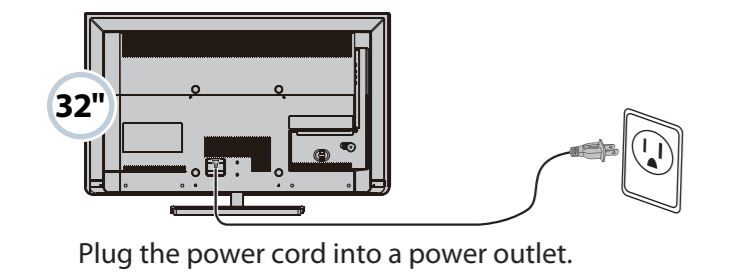
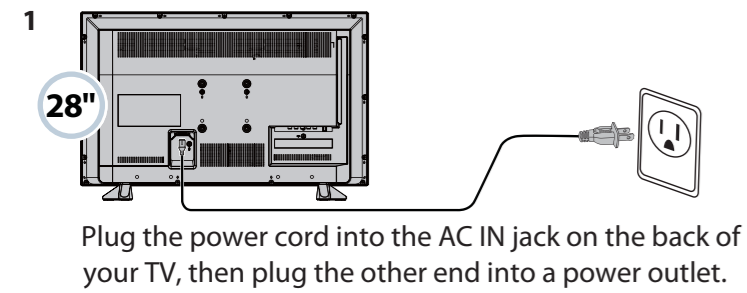
Using analog audio



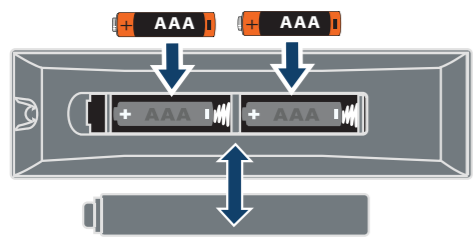
4 TURNING ON MY TV

When can I turn on my TV?

WHEN YOUR TV IS IN PLACE:



2 Remove the remote control cover and install the batteries.



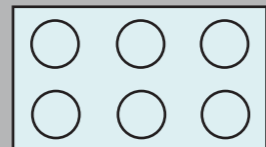
3 Press (power) on your remote control.

4 Follow the on-screen instructions.

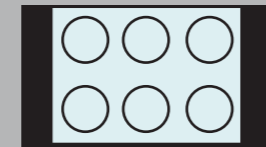


USING YOUR REMOTE CONTROL

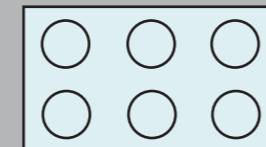
PICTURE SIZE



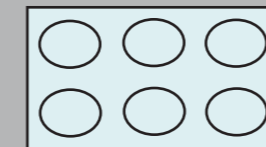
Native Mode™—Use to watch the entire picture as broadcasted without over-scanning to reduce artifacts. Only supported for HDMI, COMPONENT, and digital antenna/cable inputs.



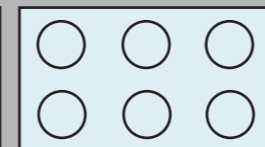
4:3—Displays content in a 4:3 aspect ratio. You might see black bars if the original content is not standard definition (4:3).



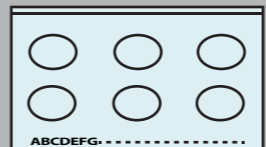
FULL—Expands the image to fill the screen. The left and right edges of the image may be cropped.



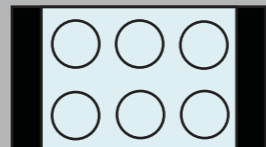
THEATERWIDE™ 1—Stretches the image at the right and left edges, but keeps a clear image in the center.



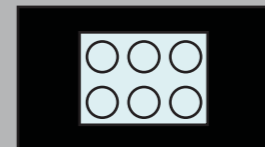
THEATERWIDE™ 2—Expands the image to fill the screen. The top and bottom of the image may be cropped.



THEATERWIDE™ 3—The same as TheaterWide 2, but subtitles are visible.



NORMAL—Original aspect ratio is preserved. You might see black bars if the original content is not widescreen (16:9).



DOT BY DOT—Original aspect ratio is preserved and is not scaled. You might see black bars depending on the signal type.

INPUT

Input Selection
0 ANT/CABLE
1 AV
2 COMPONENT
3 HDMI 1
4 HDMI 2
5 USB

POWER
Turns your TV on and off. When the TV is off, the power indicator on the front lights red.

INPUT
Opens the Input Source list.

SLEEP
Sets the sleep timer.

FREEZE
Freezes the picture. Press again to un-freeze the picture.

Numbers
Enter channel numbers.

Enters a digital sub-channel number (for example 4.1).

MUTE
Mutes the sound.

Volume
Adjusts the volume.

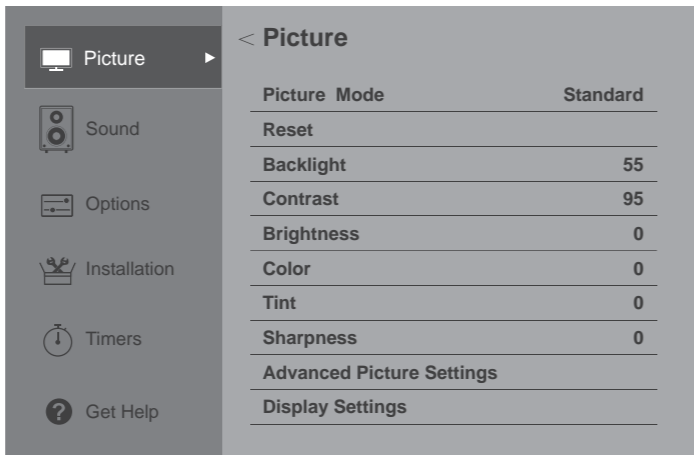
CH RTN
Returns to the previous channel or source.

BACK (CB)
Opens the Channel Browser when watching TV.

Arrows
Navigate in on-screen menus.

MENU
Opens the on-screen menu.

MENU



PIC SIZE
Changes how the picture is displayed on the screen.

PIC MODE
Selects the picture mode.

FAV
Opens the favorites list.

RECALL
Displays TV status information.

Channel
Changes the TV channels.

C. CAPTION
Accesses closed captioning.

INFO
Displays TV status information as well as program details, when available.

NEXT (CB)
Opens the Channel Browser when watching TV.

EXIT
Closes on-screen menus.

ENTER
Confirms selections or changes.

CEC device controls
CEC devices—Control CEC-compatible devices connected to your TV.
USB—Navigate through photos in a slideshow using the or buttons.

TOSHIBA

Leading Innovation >>>

Access the online *User Guide*

Go to www.tv.toshiba.com and follow the online instructions.

Many questions regarding parts, service, and warranties can be answered by visiting the Customer Support Section of our website: www.tv.toshiba.com

Contact Toshiba Customer Support Center
(855) 527-2411 From the United States and Canada

The terms HDMI and HDMI High-Definition Multimedia Interface, and the HDMI Logo are trademarks or registered trademarks of HDMI Licensing LLC in the United States and other countries. All other brand and product names are trademarks or registered trademarks of their respective companies.

Distributed and warranted by Best Buy Purchasing LLC (7601 Penn Avenue South, Richfield, MN 55423 USA)
Made in China.