

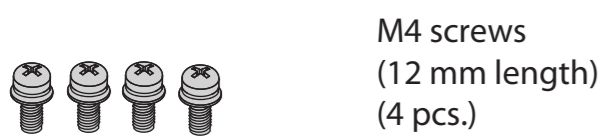
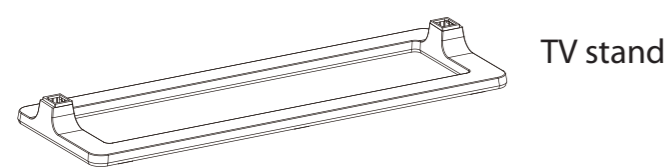
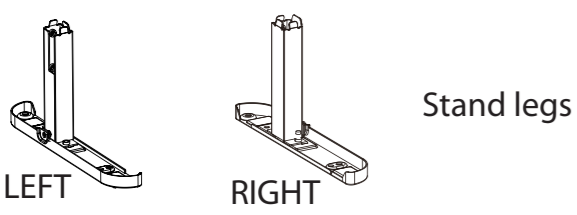
TOSHIBA

Leading Innovation >>>

Quick Setup Guide | 40L310U QSG

40" 1080p, 60Hz, LED TV

INCLUDED ACCESSORIES



FIND YOUR USER GUIDE ONLINE!

US: go to: support.toshiba.com. Type L310U, click GO, then click Manuals & Specs.

Canada: visit support.toshiba.ca/support For detailed product specifications, select TV, LED, then select 40L310U.

WARNING: To reduce the risk of fire or electric shock, do not expose this apparatus to rain or moisture.



The lightning flash with arrowhead symbol within an equilateral triangle is intended to alert the user to the presence of uninsulated "hazardous voltage" within the product's enclosure, which may be of sufficient magnitude to induce a risk of electric shock to persons.

The exclamation mark inside an equilateral triangle is intended to alert the user to the presence of important operating and maintenance (servicing) instructions in the literature accompanying the product.

IMPORTANT: See online *User Guide* before installing the TV on a wall.

URL: USA - <http://support.toshiba.com>

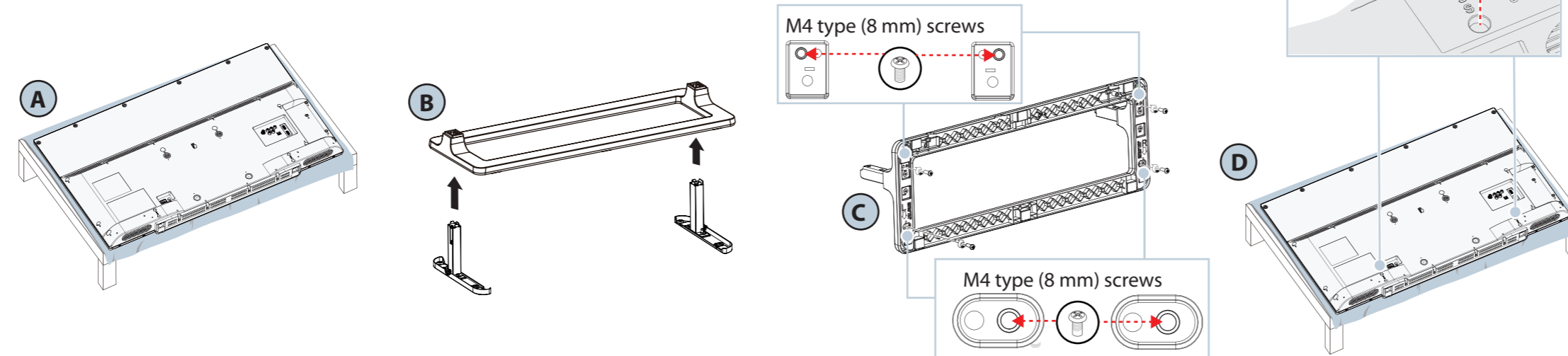
Canada - <http://support.toshiba.ca/support/ceg/>

1 START HERE

How do I attach the stand to my TV? (not for wall mounting)

You'll need: Soft surface and a Phillips screwdriver.

- A** Carefully place your TV face-down on a cushioned, clean surface.
- B** Slide the TV stand over the stand legs. Make sure that the long parts of the TV stand and stand legs point in the same direction.
- C** Secure the TV stand to the stand legs using two of the provided 8 mm screws (the short screws) per stand leg.
- D** Secure the stand legs to the back of your TV using two of the 12 mm screws (the long screws) per stand leg.



WALL MOUNT

How do I prepare my TV for wall mounting? (not for use with a TV stand)

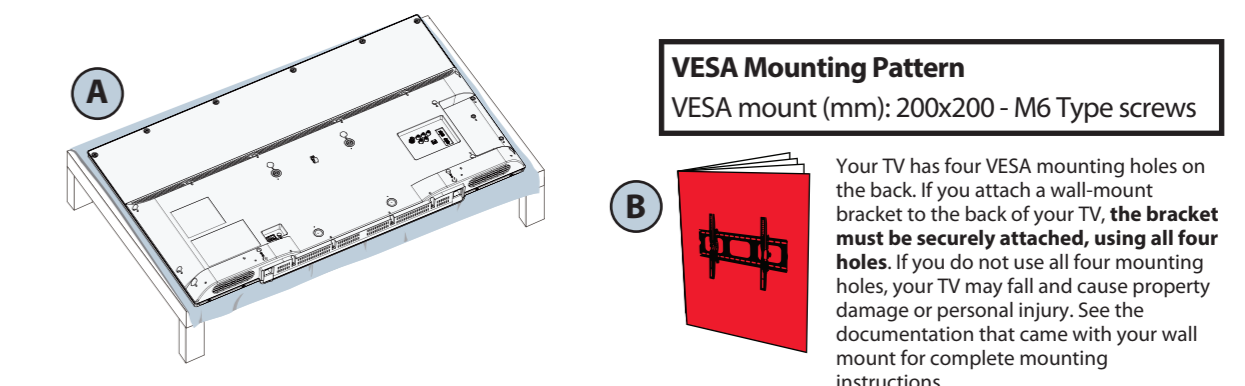
You'll need: Soft surface

Before you mount your TV, make sure:

- You remove the stand.
- The wall-mount bracket is listed by an independent laboratory (such as UL, CSA, or ETL).
- The bracket supports the weight of your TV.

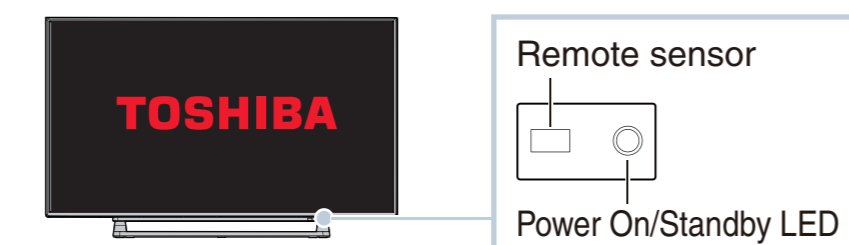
OR

- A** Carefully place your TV face-down on a cushioned, clean surface.
- B** See the instructions that came with your wall mount for more information about how to correctly mount your TV.

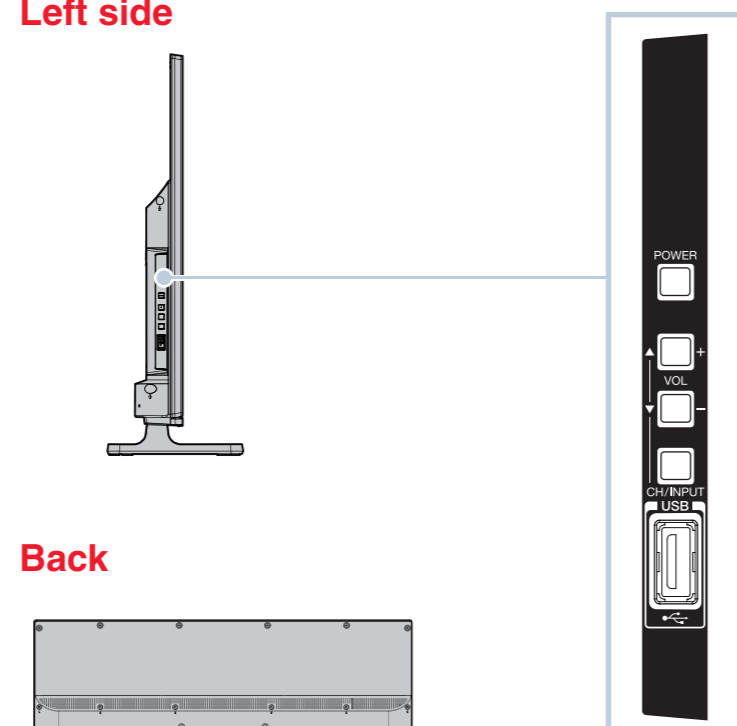


FEATURES

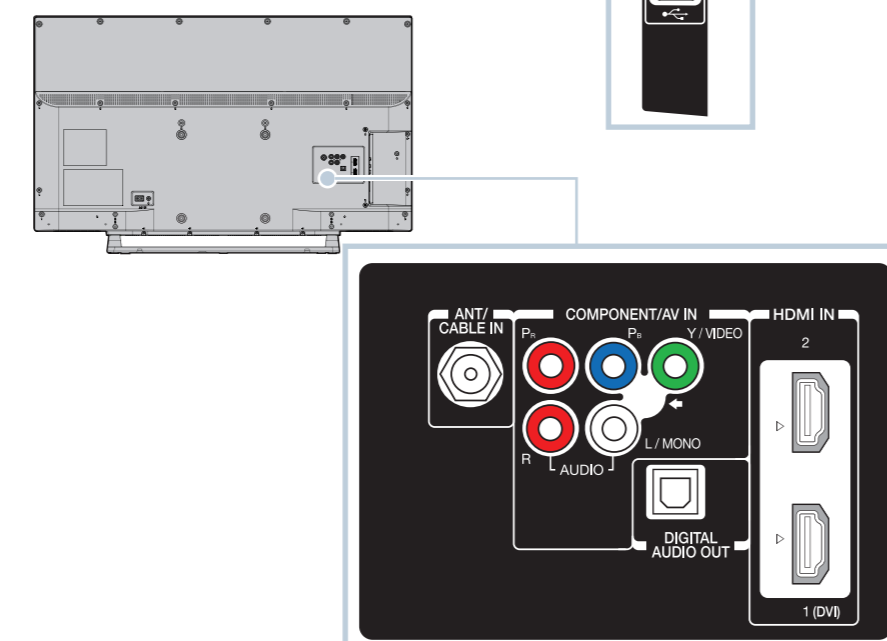
Front



Left side



Back



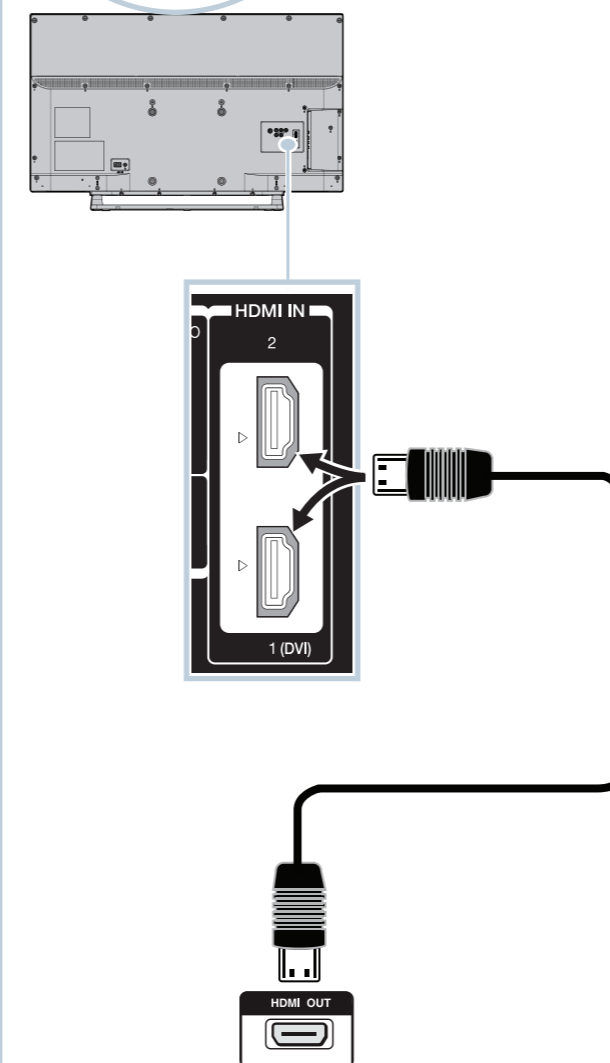
2 MAKING CONNECTIONS

How do I watch TV (cable, satellite, or antenna) or connect a device such as a DVD or Blu-ray disc player or game console?

HDMI (BEST)

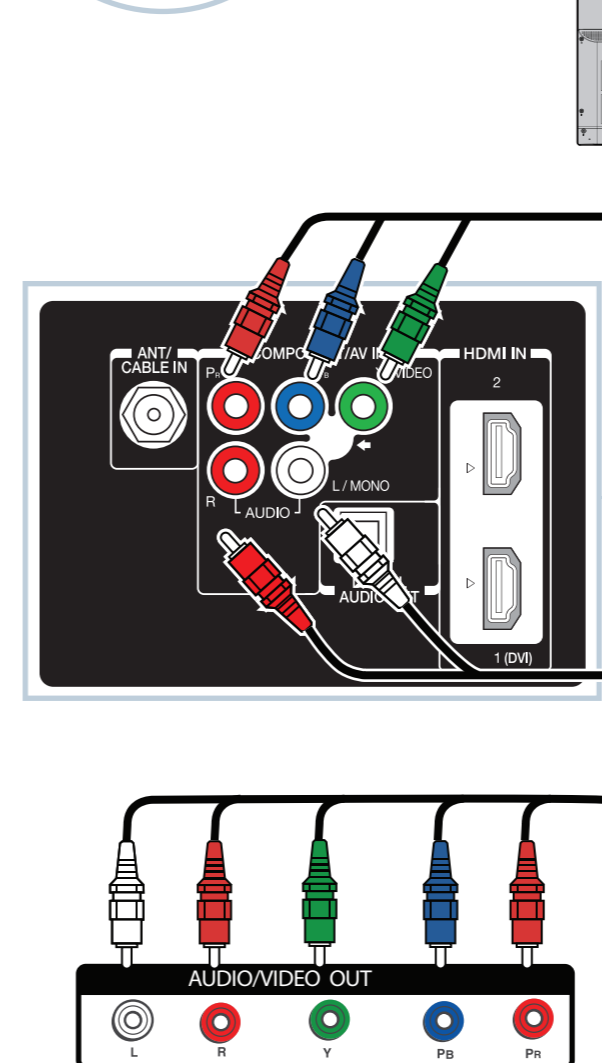
Best video quality

HDMI 1 port can be used for either HDMI OR DVI. When used for DVI, only Video is supported and not Audio.



COMPONENT (BETTER)

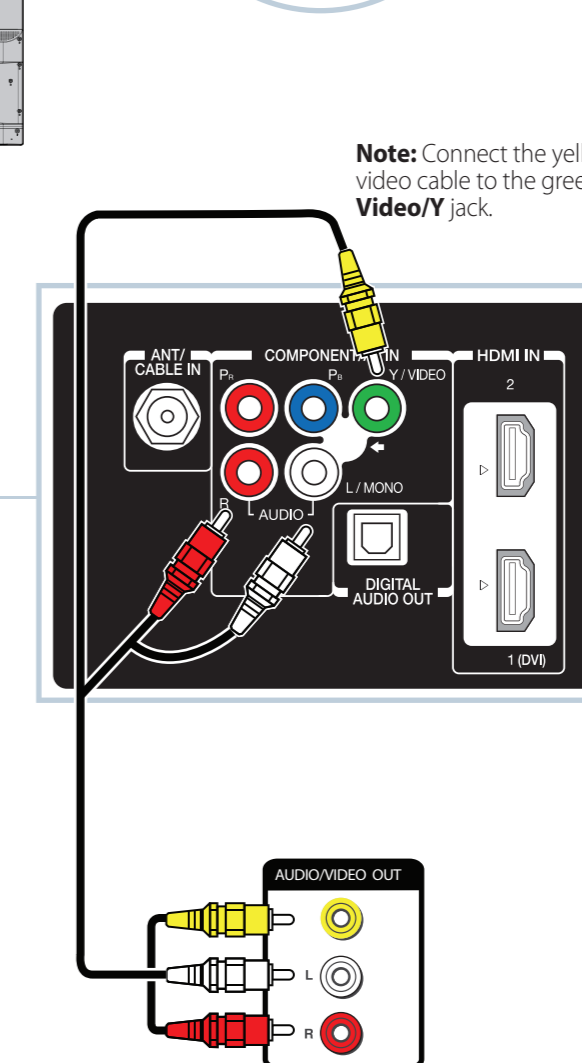
Note: The component and AV jacks are shared. This means you can connect only one component or AV device at a time. We suggest upgrading to HDMI (BEST) if your device supports it.



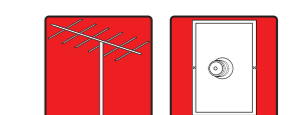
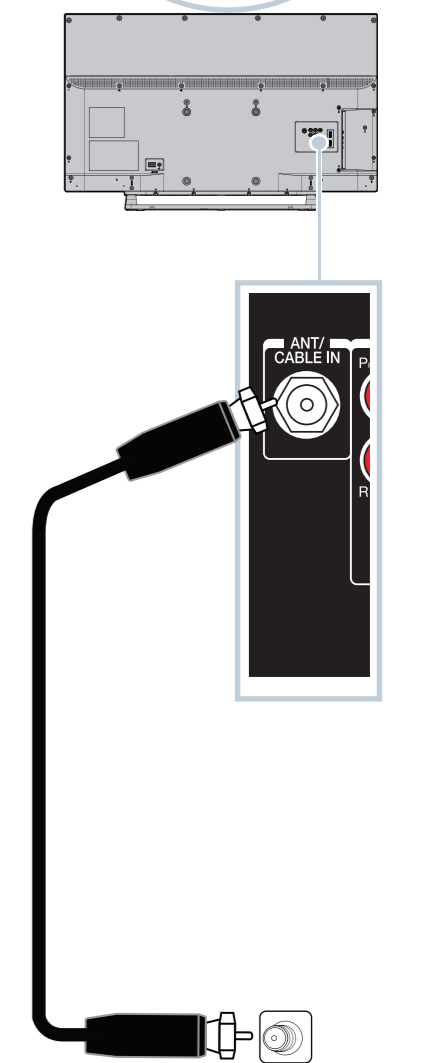
OR

AV (GOOD)

Note: Connect the yellow video cable to the green Video/Y jack.



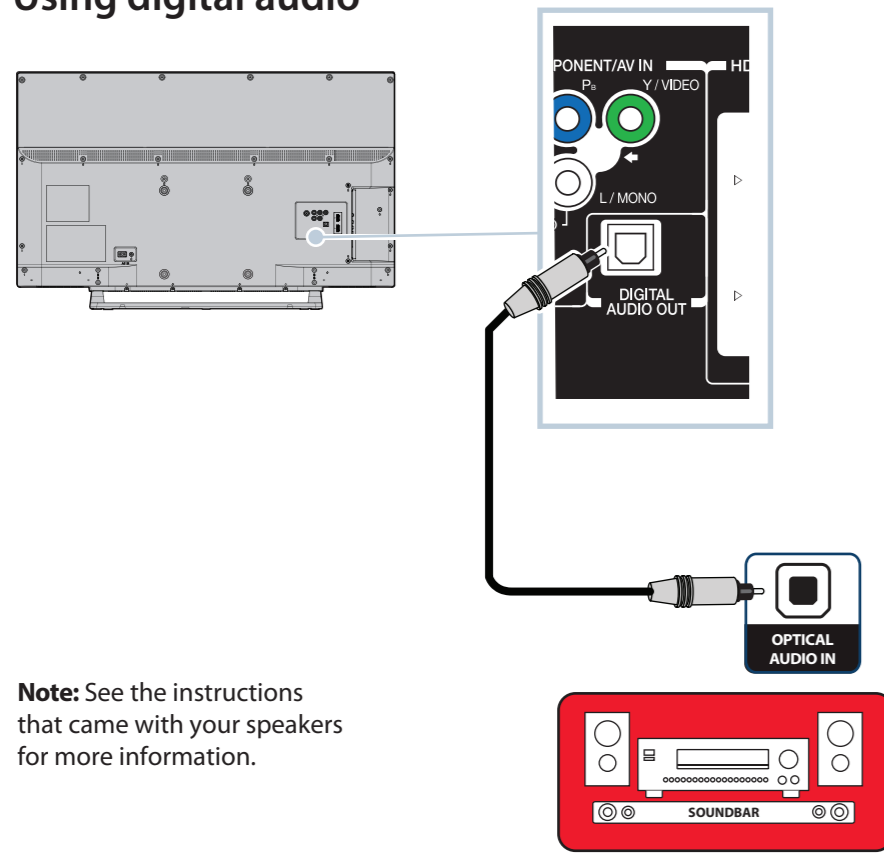
Coaxial (GOOD)



3 CONNECTING EXTERNAL SPEAKERS

How do I connect my TV to external speakers?

Using digital audio



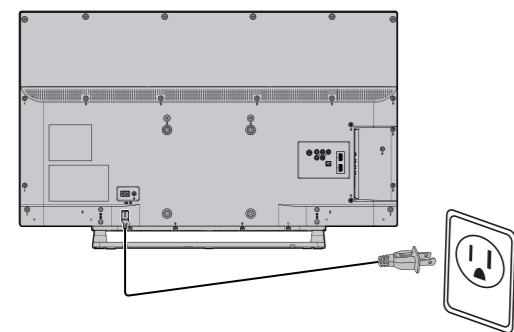
Note: See the instructions that came with your speakers for more information.

4 TURNING ON MY TV

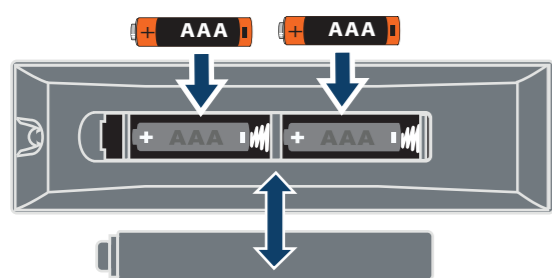
When can I turn on my TV?

WHEN YOUR TV IS IN PLACE:

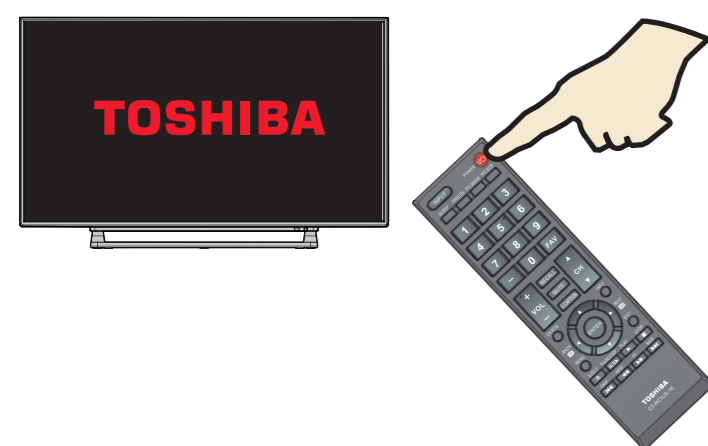
- 1 Plug the power adapter into the **AC IN** jack on the back of your TV, then plug the other end into a power outlet.



- 2 Remove the remote control cover and install the batteries.

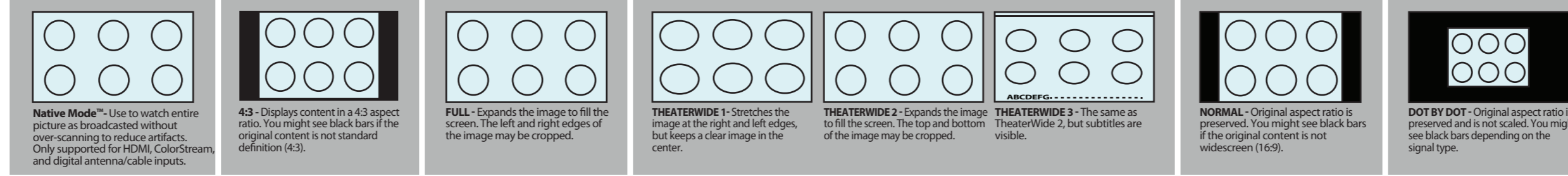


- 3 Press (power) on your remote control.
- 4 Follow the on-screen instructions.



USING YOUR REMOTE CONTROL

PICTURE SIZE

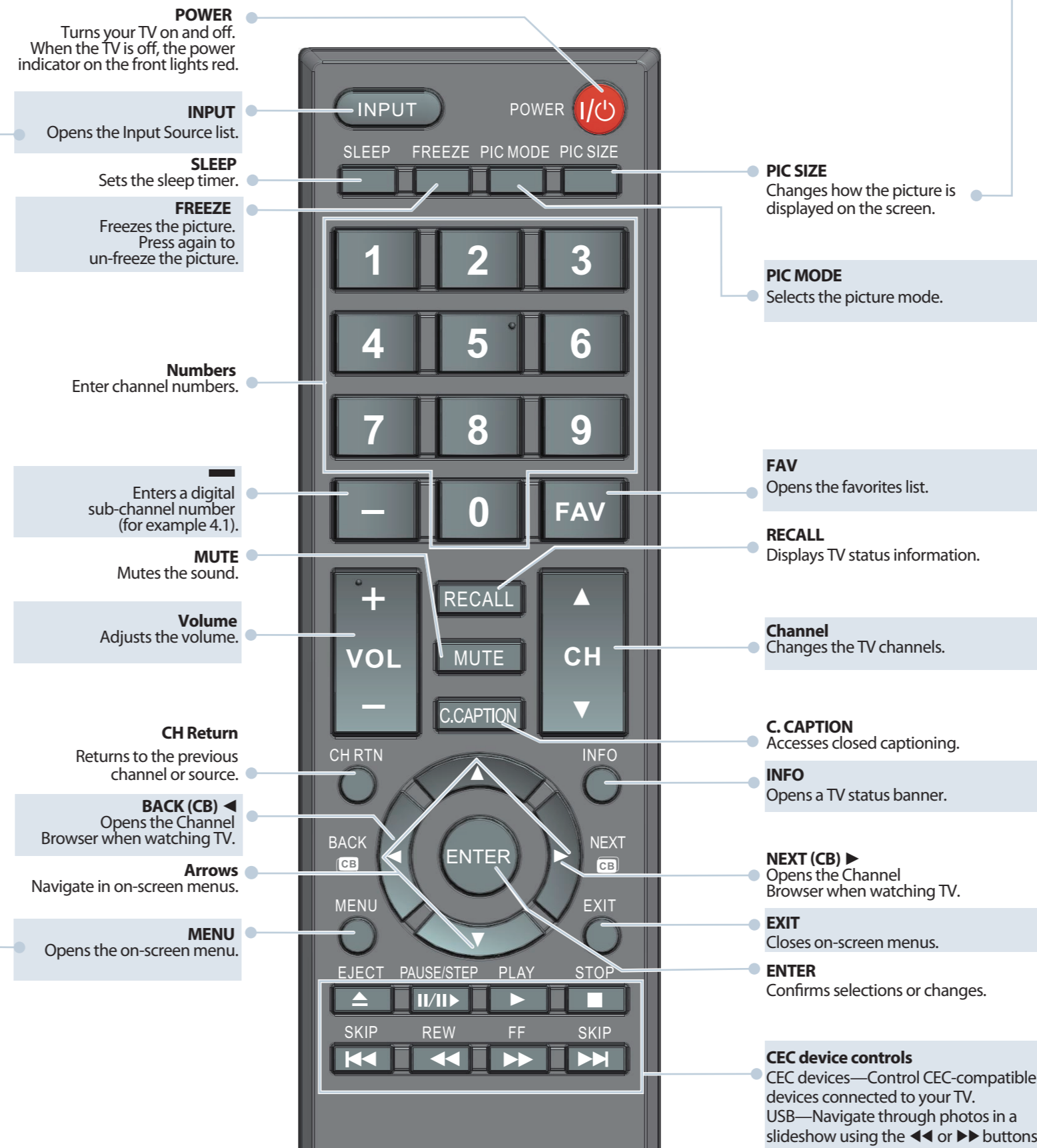


INPUT

Input Selection	
①	ANT/ CABLE
1	ColorStream HD
2	HDMI1
3	HDMI2

MENU

Picture		
Picture Mode	Standard	
Reset		
Backlight	55	
Contrast	95	
Brightness	0	
Color	0	
Tint	0	
Sharpness	0	
Advanced Picture Setting		
Display Setting		



TOSHIBA

Leading Innovation >>>

Access the online User Guide

L310U series (United States):

go to: support.toshiba.com

Type in your product model or serial number, click **GO**, then click **Manuals & Specs**.

L310U series (Canada):

Go to: <http://support.toshiba.ca/support/ceg/>

Many questions regarding parts, service, and warranties can be answered by visiting the Customer Support Section of our website:

L310U series: support.toshiba.com

(Canada model): support.toshiba.ca/support/ceg/

Contact Toshiba Customer Support Center

L310U series :

(855) 527-2411 From the United States and Canada

ColorStream is a trademark of Toshiba America Information Systems, Inc. The terms HDMI and HDMI High-Definition Multimedia Interface, and the HDMI Logo are trademarks or registered trademarks of HDMI Licensing LLC in the United States and other countries. All other brand and product names are trademarks or registered trademarks of their respective companies.

Distributed and warranted by Best Buy Purchasing LLC (7601 Penn Avenue South Richfield MN USA, 55423) Made in China