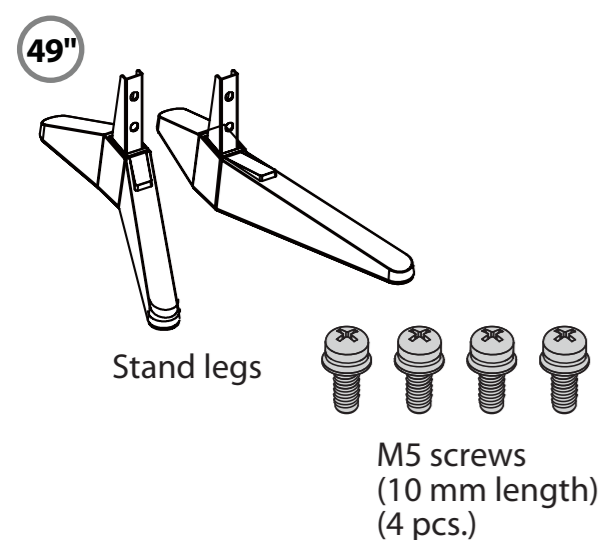


### INCLUDED ACCESSORIES



**FIND YOUR USER GUIDE ONLINE!**  
Go to [www.tv.toshiba.com](http://www.tv.toshiba.com) and follow the online instructions.

**WARNING:** To reduce the risk of fire or electric shock, do not expose this apparatus to rain or moisture.



The lightning flash with arrowhead symbol within an equilateral triangle is intended to alert the user to the presence of uninsulated "hazardous voltage" within the product's enclosure, which may be of sufficient magnitude to induce a risk of electric shock to persons.

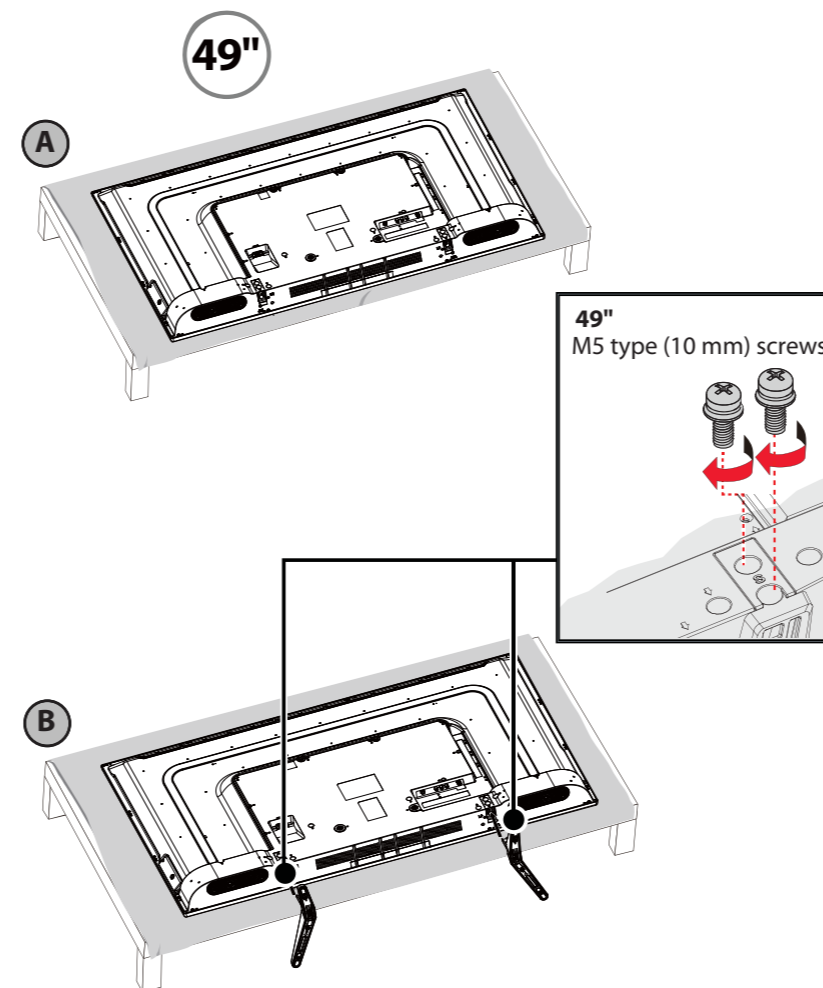
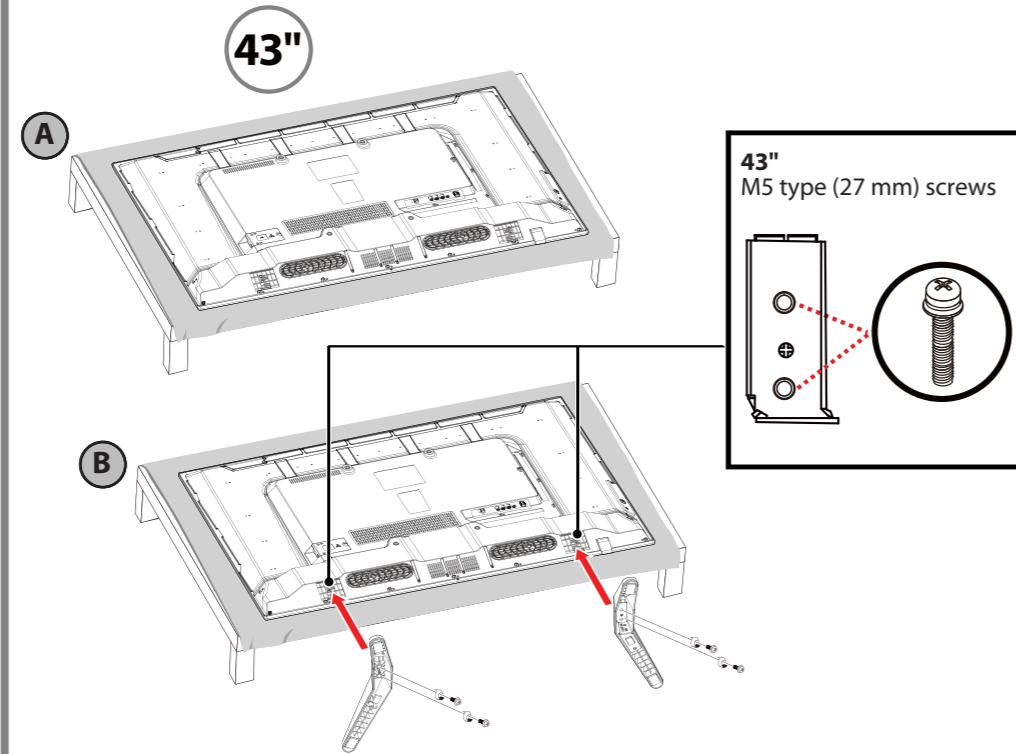
The exclamation mark inside an equilateral triangle is intended to alert the user to the presence of important operating and maintenance (servicing) instructions in the literature accompanying the product.

**IMPORTANT:** See the online *User Guide* before installing the TV on a wall.  
URL: [www.tv.toshiba.com](http://www.tv.toshiba.com)

### 1 START HERE

How do I attach the stand to my TV? (not for wall mounting)  
You'll need: Soft surface and a Phillips screwdriver.

- A Carefully place your TV face-down on a cushioned, clean surface.
- B Secure the TV stand to the back of your TV with the provided screws.



OR

### WALL MOUNT

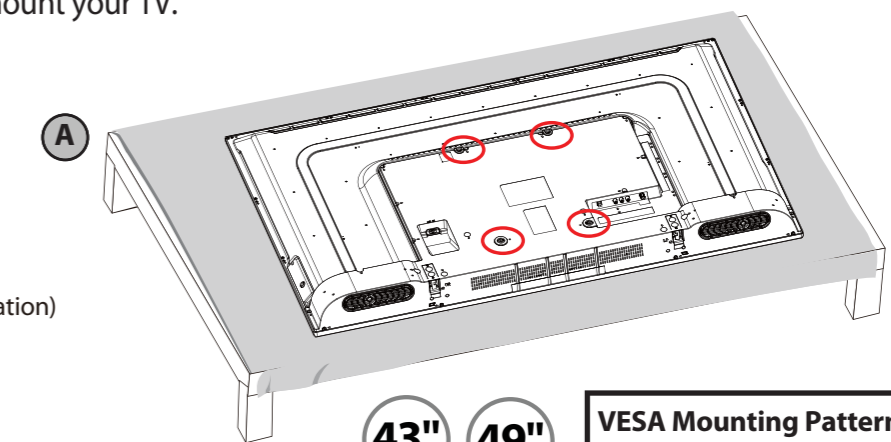
How do I prepare my TV for wall mounting? (not for use with a TV stand)  
You'll need: Soft surface and a Phillips screwdriver.

Before you mount your TV, make sure that:

- You remove the stand legs.
- The wall-mount bracket is listed by an independent laboratory (such as UL, CSA, or ETL).
- The bracket supports the weight of your TV.

A Carefully place your TV face-down on a cushioned, clean surface.

B See the instructions that came with your wall mount for more information about how to correctly mount your TV.

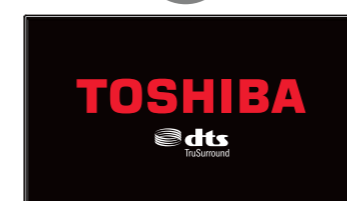


B

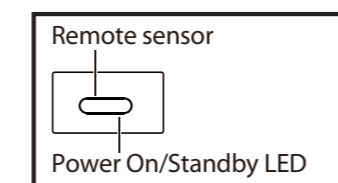
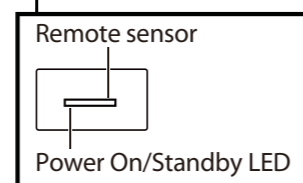
Your TV has four VESA mounting holes on the back. If you attach a wall-mount bracket to the back of your TV, **the bracket must be securely attached, using all four holes.** If you do not use all four mounting holes, your TV may fall and cause property damage or personal injury. See the documentation that came with your wall mount for complete mounting instructions.

### Features

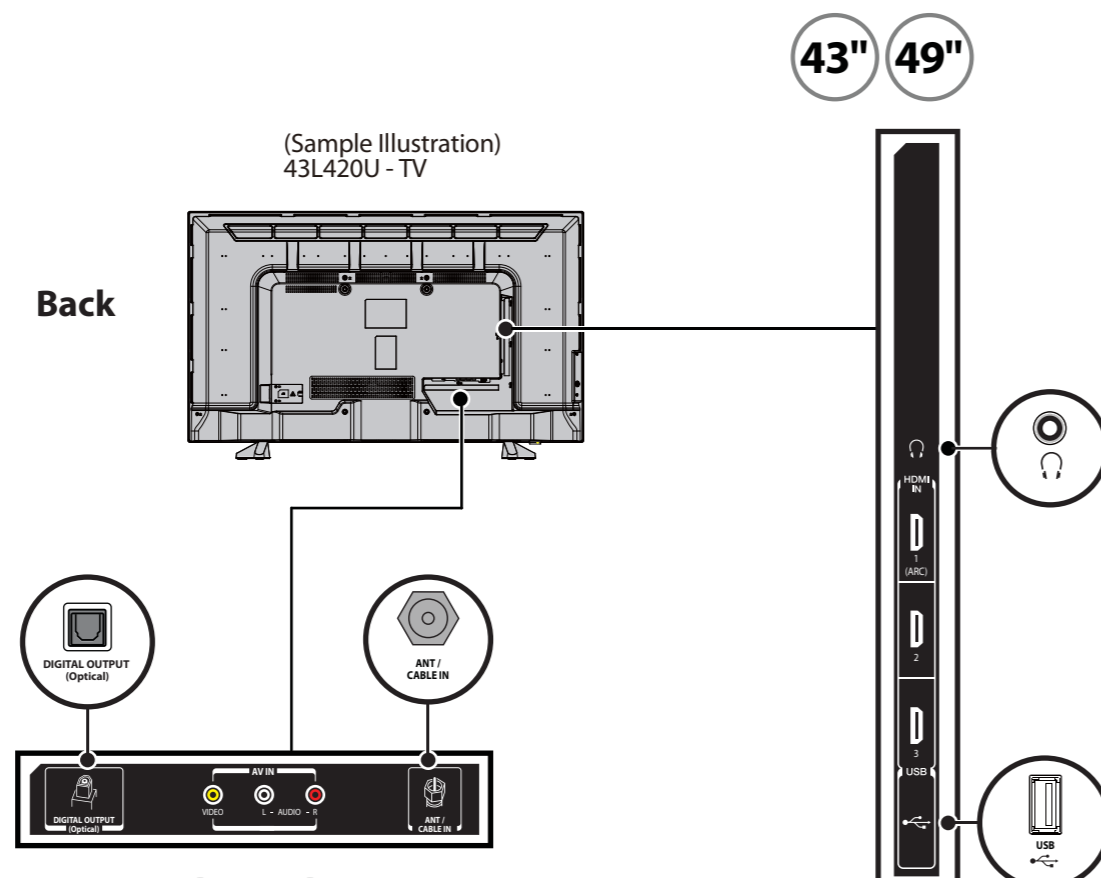
Front



Left side



Back



43" 49"

Before using your new product, please read these instructions to prevent any damage.

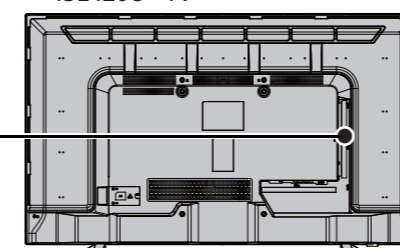
### 2 MAKING CONNECTIONS

How do I watch TV (cable, satellite, or antenna) or connect a device such as a DVD or Blu-ray disc player or game console?

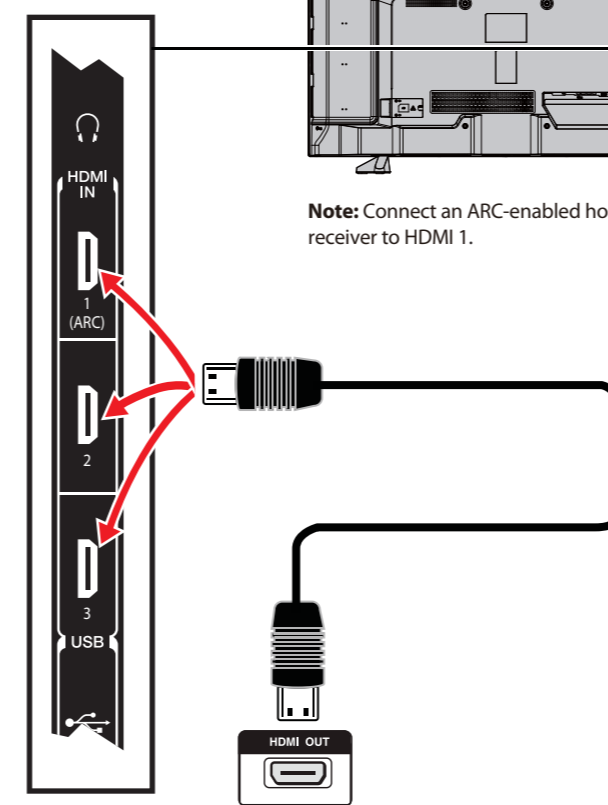
**HDMI® (BEST)**  
Best video quality



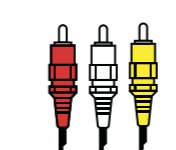
(Sample Illustration) 43L420U - TV



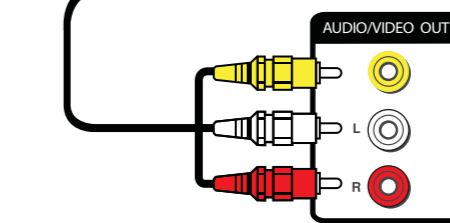
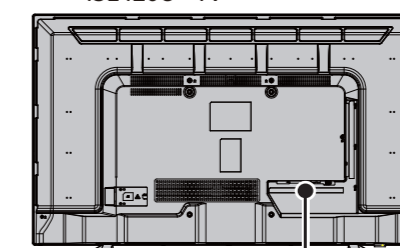
**Note:** Connect an ARC-enabled home theater receiver to HDMI 1.



**AV (GOOD)**



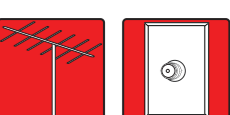
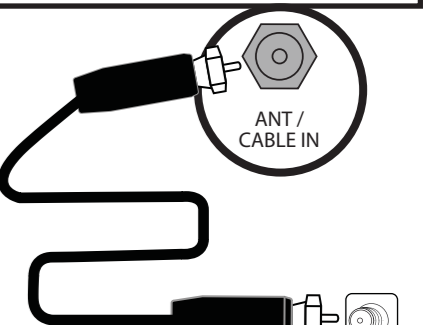
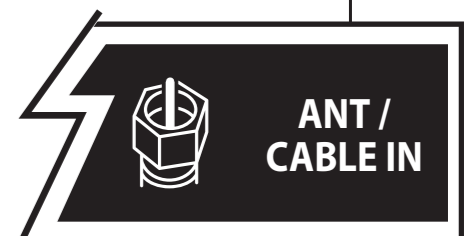
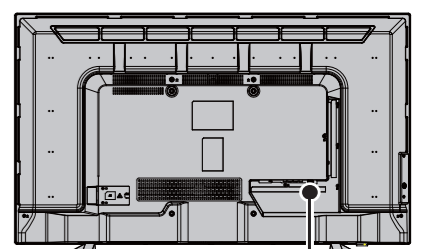
(Sample Illustration) 43L420U - TV



**Coaxial (GOOD)**



(Sample Illustration) 43L420U - TV



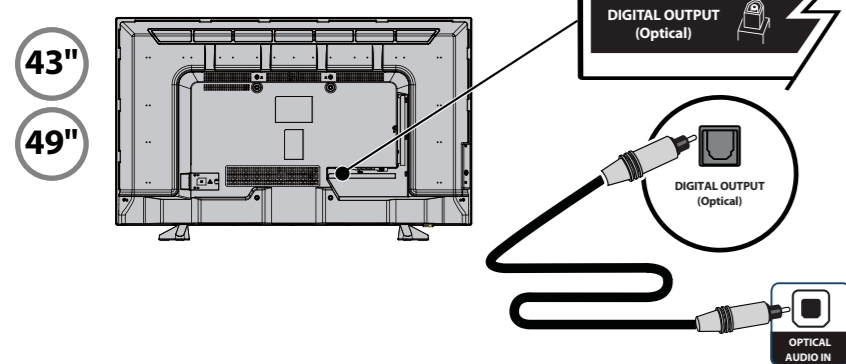


### 3 CONNECTING EXTERNAL SPEAKERS

How do I connect my TV to external speakers?

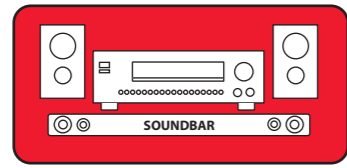
#### Using digital audio

(Sample Illustration)  
43L420U - TV

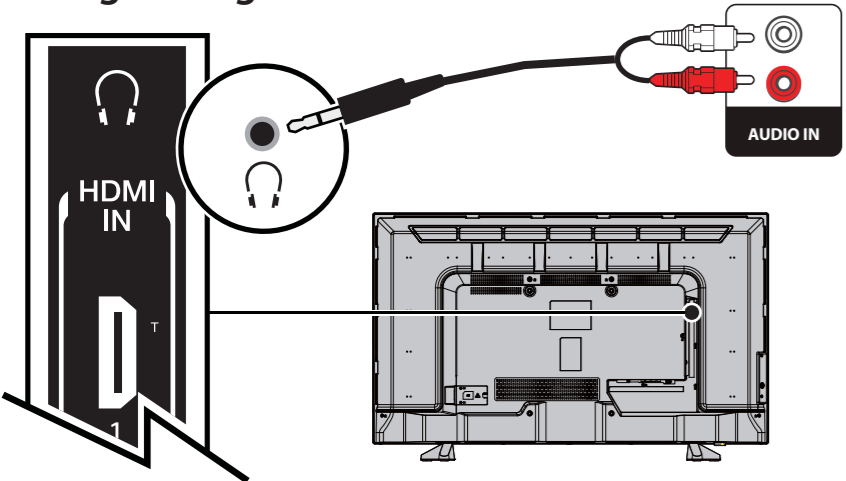


OR

**Note:** See the instructions that came with your speakers for more information.



#### Using analog audio

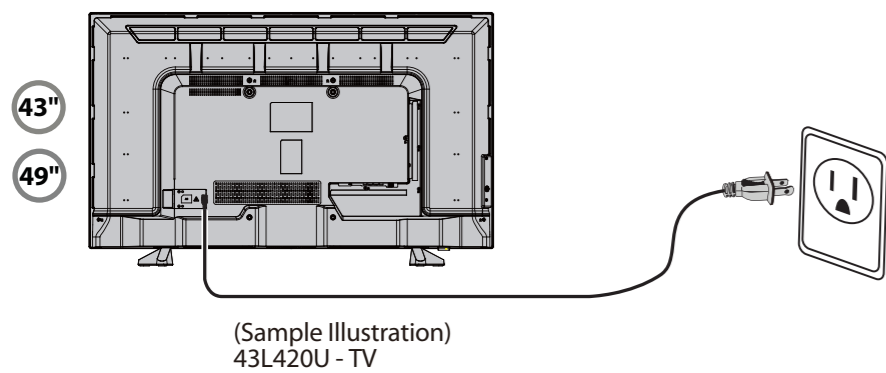


### 4 TURNING ON MY TV

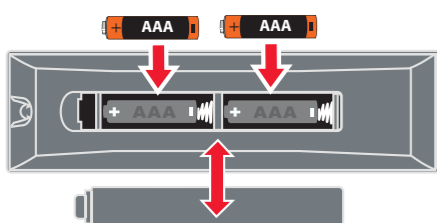
When can I turn on my TV?

#### WHEN YOUR TV IS IN PLACE:

- 1 Plug the power cord into a power outlet.



- 2 Remove the remote control cover and install the batteries.



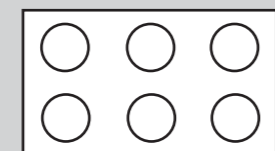
- 3 Press (power) on your remote control.

- 4 Follow the on-screen instructions.

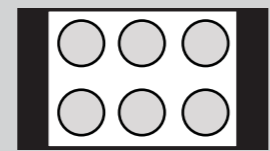


### USING YOUR REMOTE CONTROL

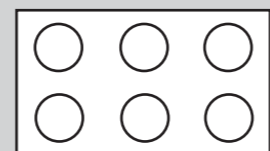
#### PICTURE SIZE



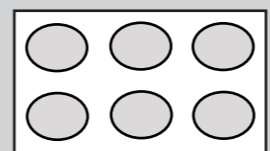
**Native Mode™** - Use to watch the entire picture as broadcasted without over-scanning to reduce artifacts. Only supported for HDMI and digital antenna/cable inputs.



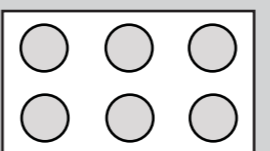
**4:3** - Displays content in a 4:3 aspect ratio. You might see black bars if the original content is not standard definition (4:3).



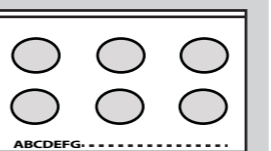
**FULL** - Expands the image to fill the screen. The left and right edges of the image may be cropped.



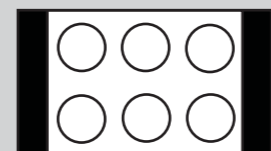
**THEATERWIDE™ 1** - Stretches the image at the right and left edges, but keeps a clear image in the center.



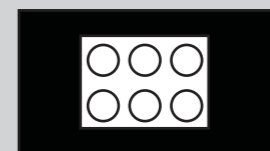
**THEATERWIDE™ 2** - Expands the image to fill the screen. The top and bottom of the image may be cropped.



**THEATERWIDE™ 3** - The same as TheaterWide 2, but subtitles are visible.



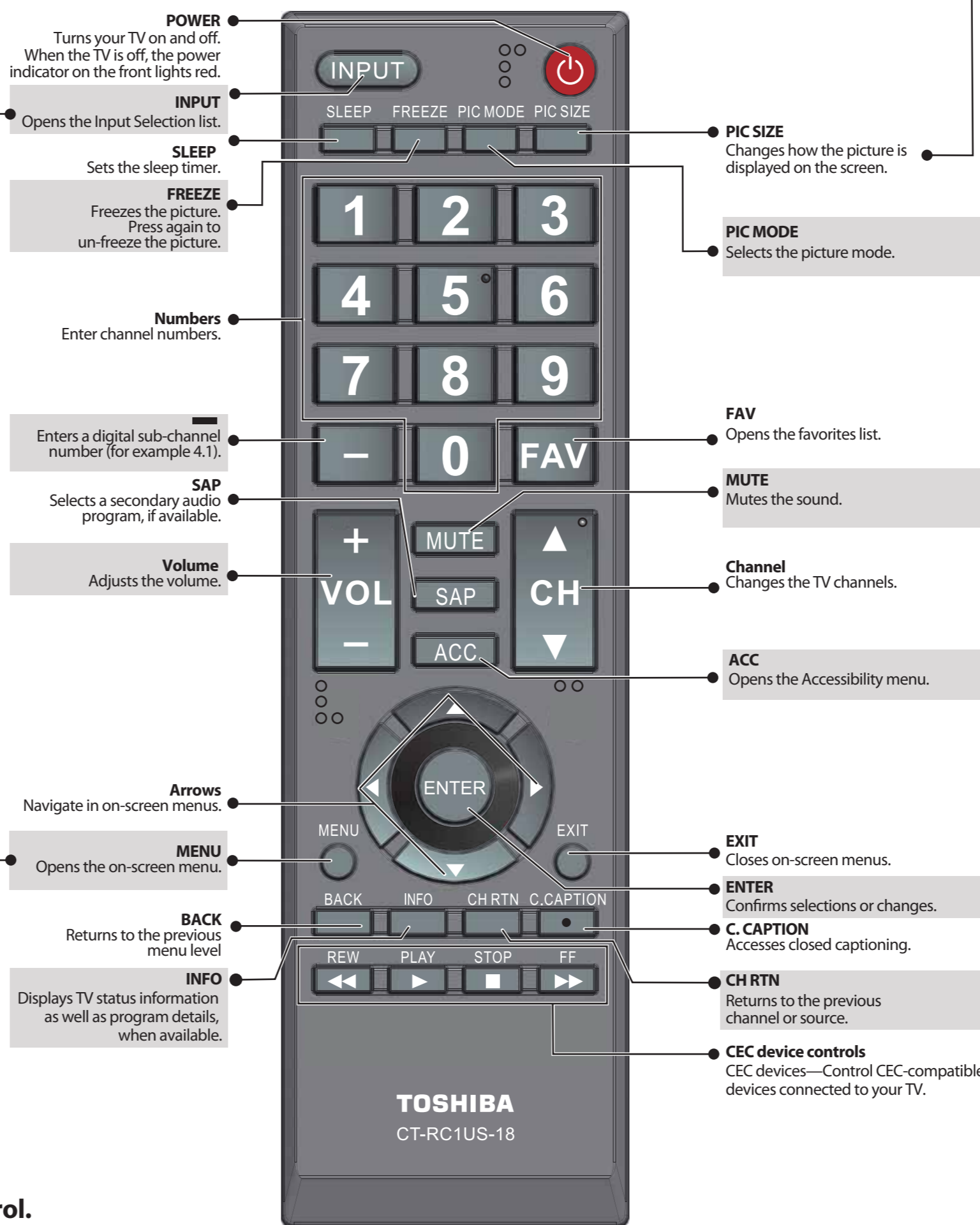
**NORMAL** - Original aspect ratio is preserved. You might see black bars if the original content is not widescreen (16:9).



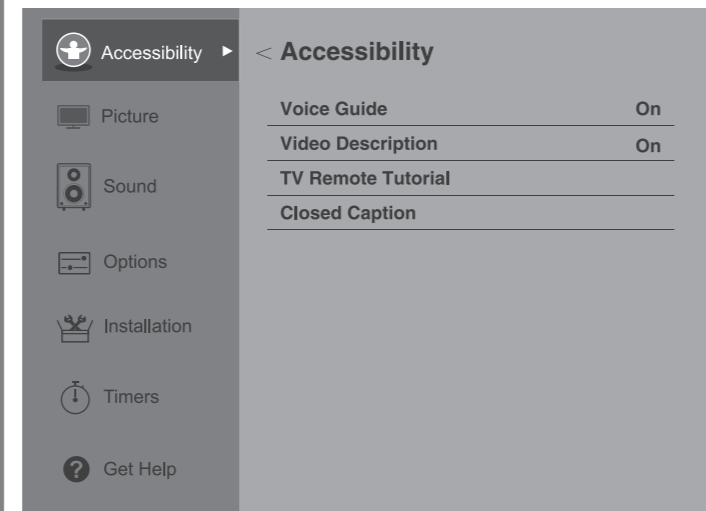
**DOT BY DOT** - Original aspect ratio is preserved and is not scaled. You might see black bars depending on the signal type.

#### INPUT

| Input Selection |
|-----------------|
| 0 ANT / CABLE   |
| 1 AV            |
| 2 HDMI 1        |
| 3 HDMI 2        |
| 4 HDMI 3        |
| 5 USB           |



#### MENU



#### I already have a universal remote control. How do I make it control this TV?

If you already have a universal remote control that you would like to program to work with your TV and don't want to use the included Toshiba remote control, see the table below for common codes. If you do not see a code for your universal remote control or set-top box, see the documentation that came with your device.

| UNIVERSAL REMOTE CONTROL CODES |   |
|--------------------------------|---|
| <b>AT&amp;T</b>                | 1127, 1179, 1203, 1204, 1222, 1223, 1332, 1340, 1341, 1345, 1353, 1010, 1098, 1104, 1147, 1148, 1149, 1150, 1151, 1173, 1174, 1210, 1215, 1256, 1257, 1263, 1267, 1272, 1302, 1311, 1312, 1322, 1343, 1376, 1585, 1589, 1592, 11524, 12724, 10156, 11935, 11704, 11959, 10650, 11343, 11369, 10060  |
| <b>Cablevision</b>             | 015, 101, 045, 030, 007, 040, 062, 142, 137, 382, 703   |
| <b>Charter</b>                 | 11524, 10822, 10845, 11656, 12006, 10154, 11256, 10156, 11265, 10060, 10650, 11156, 11356, 11704, 0154, 0156, 0060, 1256, 0832, 1704, 1936, 0650, 1156, 1656, 1935, 0845, 1356, 1918, 1945, 015, 030, 007, 040, 062, 101, 142, 045, 137, 138, 325, 258, 031, 038, 039, 423, 571   |
| <b>Comcast</b>                 | 11656, 11156, 11256, 11704, 10845, 11356, 10060, 10650, 11265, 10154, 10765, 10767, 10178, 11314, 10700, 10702, 11935, 10832, 11959, 10036, 10149, 11343, 11369, 10781, 10003, 10250, 10156, 0060, 003, 0154, 0156  |
| <b>Cox</b>                     | 074, 168, 170, 822, 093, 991, 156, 060, 154, 093, 030, 031, 038, 039, 0170, 0074, 0168, 1270, 0060, 0154, 0156, 1256, 1265, 1945, 1704, 1656, 1635, 1356, 1343, 1325, 1306, 1156, 0845, 0832, 0650, 0149, 0036, 1369, 1042, 1060, 1061, 1062, 1087, 1091, 1097, 1098, 1130, 1131, 1183, 1524, 1935, 2006, 1959, 1936, 1164, 2724  |
| <b>DirectTV</b>                | 10156, 11656, 11256, 11704, 11356, 10060, 10650, 10154, 10765, 10178, 10700, 10702  |
| <b>Dish Network</b>            | 617, 631, 590, 618, 635, 680, 688, 750, 847, 800, 526, 851, 852, 595, 908, 757, 850, 802, 785, 743, 849, 622, 789, 771, 744, 243, 117   |
| <b>RCA</b>                     | 11524, 11656, 10156, 11156, 11256, 12006, 11265, 11704, 11945, 10845, 1356, 12724   |
| <b>Rogers</b>                  | 1524  |
| <b>Time Warner</b>             | 0156, 0060, 0154, 1042, 1060, 1061, 1062, 1087, 1091, 1097, 1098, 1130, 1131, 1172, 1173, 1183, 1286, 1317, 1325, 1327, 1334, 1345, 1346, 1355, 1364, 1365, 0016, 0017, 0090, 0096, 0117, 0118, 0129, 0131, 0180, 0206, 2001, 0011, 0021, 0041, 0051, 0061, 0081, 0101, 0111, 0171, 0191, 0211, 0471, 0701, 0411, 0501, 1301, 1351, 1441, 1781, 1951, 2021, 0341, 2341, 2481, 0861, 2351, 3671, 2801, 3821, 4151, 3921, 3931, 1256, 1265, 1945, 1935, 1704, 1656, 1635, 1356, 1343, 1306, 1156, 0845, 0832, 0650, 0149, 0036, 1190, 1014, 1015, 1127, 1007, 1252, 1246, 1219, 1212, 1168, 1163, 1018, 1114, 1028, 1071, 1300, 1338, 1353, 1369, 030, 007, 040, 062, 101, 142, 137, 045, 015, 062, 142, 137, 703, 138, 230, 258, 325 |
| <b>Verizon</b>                 | 0087, 0181, 0183, 0677, 0859, 0872, 1172, 1183, 1283, 1292, 1383, 1683, 1731, 3015, 3022, 3023, 3051, 3052, 3053, 3055, 3059, 3062, 3066, 3072, 3074, 3078, 3080, 3087, 3089, 3093, 3147, 3167, 3168, 3169, 3171, 3173, 3182, 3187, 3188, 3207, 3214, 3220, 397   |

# TOSHIBA

Leading Innovation >>>

Access the online **User Guide**  
Go to [www.tv.toshiba.com](http://www.tv.toshiba.com) and follow the online instructions.

Many questions regarding parts, service, and warranties can be answered by visiting the Customer Support Section of our website:  
[www.tv.toshiba.com](http://www.tv.toshiba.com)

Contact **Toshiba Customer Support Center**  
(855) 527-2411 From the United States and Canada

#### HDMI®

The terms HDMI and HDMI High-Definition Multimedia Interface, and the HDMI Logo are trademarks or registered trademarks of HDMI Licensing LLC in the United States and other countries. All other brand and product names are trademarks or registered trademarks of their respective companies.

Distributed and warranted by Best Buy Purchasing LLC  
7601 Penn Avenue South, Richfield, MN 55423 USA

©2016 Best Buy China LTD. All rights reserved.  
Toshiba is a registered trademark of Toshiba Corporation.  
All other trademarks are property of their respective owners.