

TOSHIBA

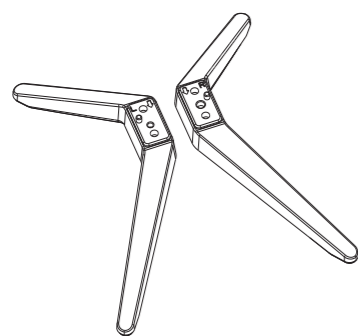
Quick Setup Guide | 32L310U20 32" 720p, 60Hz, LED TV

INCLUDED ACCESSORIES

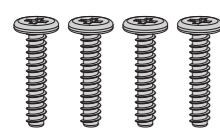
Remote control and two AAA batteries



Stands



ST4 screws (20 mm length)
(4 pcs.)



FIND YOUR USER GUIDE ONLINE!

Go to www.tv.toshiba.com and search for 32L310U20.

WARNING: To reduce the risk of fire or electric shock, do not expose this apparatus to rain or moisture.



- The lightning flash with arrowhead symbol within an equilateral triangle is intended to alert the user to the presence of uninsulated "hazardous voltage" within the product's enclosure, which may be of sufficient magnitude to induce a risk of electric shock to persons.
- The exclamation mark inside an equilateral triangle is intended to alert the user to the presence of important operating and maintenance (servicing) instructions in the literature accompanying the product.

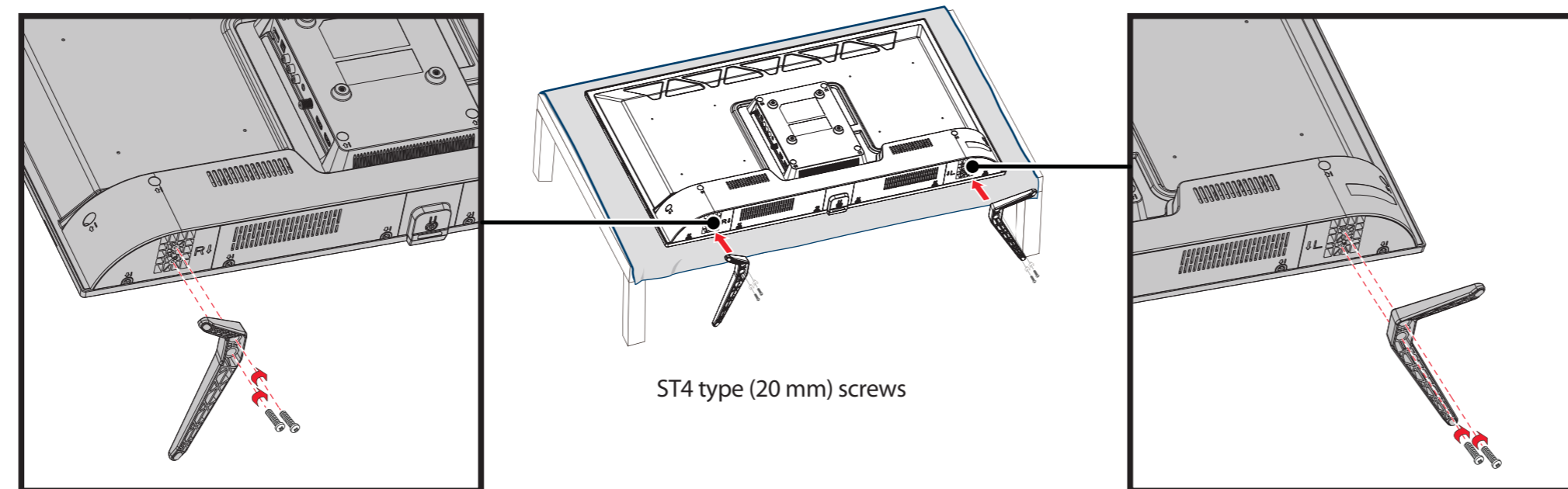
1 START HERE

How do I attach the stands to my TV? (not for wall mounting)

You'll need: Soft surface and a Phillips screwdriver.

Carefully place your TV face-down on a cushioned, clean surface.

Align the screw holes on the TV stands with the holes on the bottom of your TV, then secure each stand to your TV with two of the provided screws.



ST4 type (20 mm) screws

WALL MOUNT

How do I prepare my TV for wall mounting? (not for use with a TV stand)

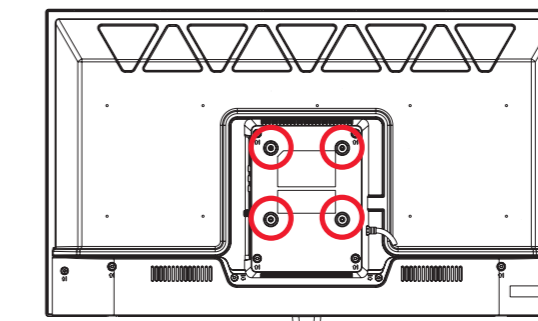
You'll need: Soft surface and a Phillips screwdriver.

Before you mount your TV, make sure that:

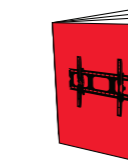
- You remove the stands.
- The bracket supports the weight of your TV.

Carefully place your TV face-down on a cushioned, clean surface.

See the instructions that came with your wall mount for more information about how to correctly mount your TV.



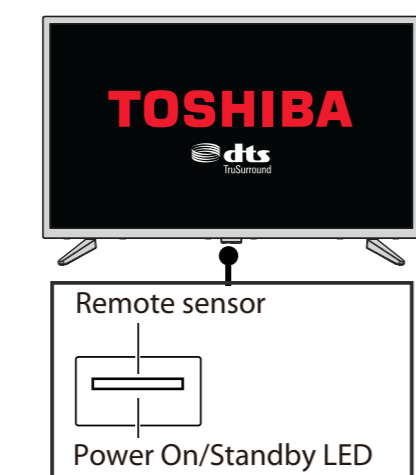
VESA Mounting Pattern
VESA mount (mm): 100 x 100 – M4 x 12 mm type screws (4 pcs)



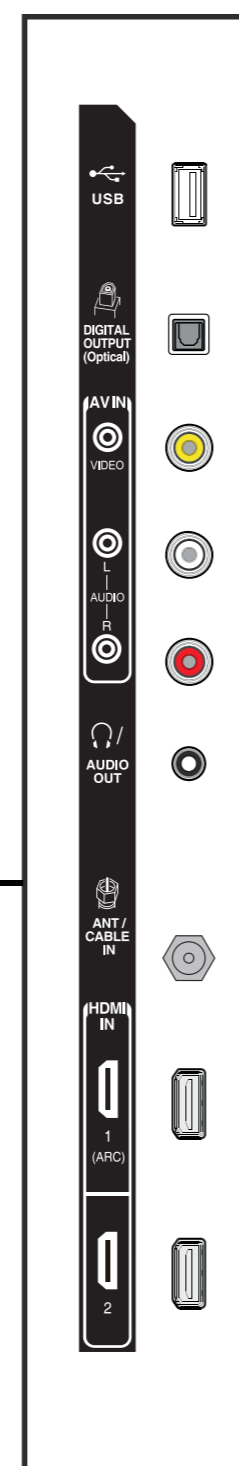
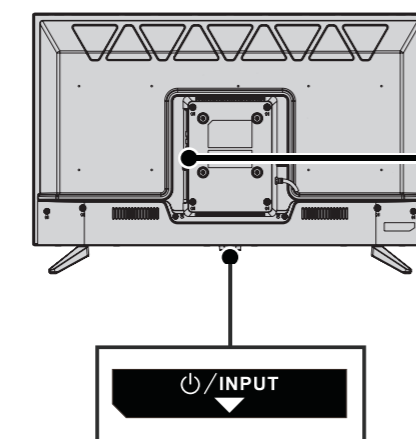
Your TV has four VESA mounting holes on the back. If you attach a wall-mount bracket to the back of your TV, **the bracket must be securely attached using all four holes.** If you do not use all four mounting holes, your TV may fall and cause property damage or personal injury. See the documentation that came with your wall mount for complete mounting instructions.

Features

Front



Back



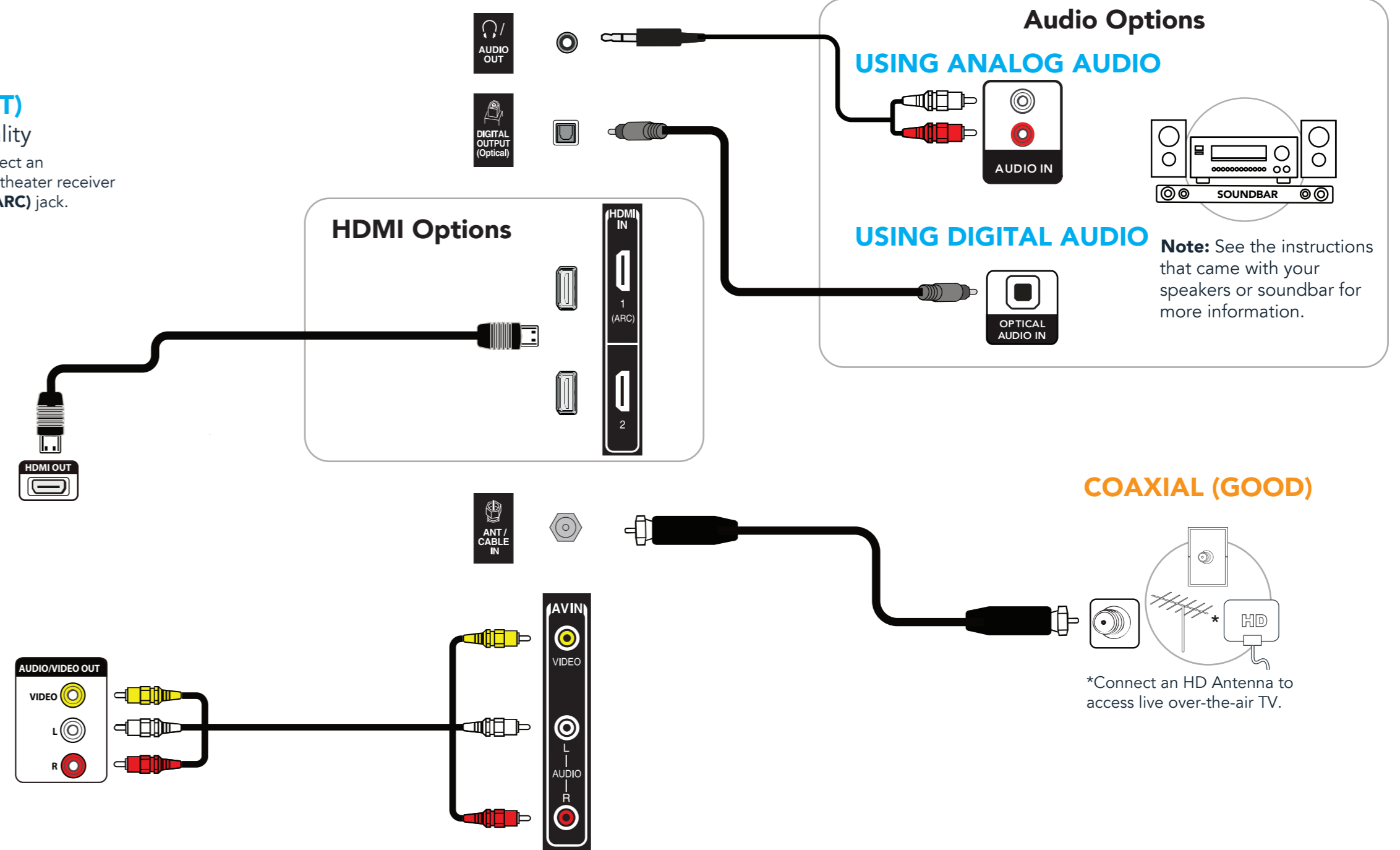
2 MAKING CONNECTIONS

How do I watch TV (cable, satellite, or antenna) or connect a device such as a DVD or Blu-ray disc player or game console?

HDMI® (BEST)

Best video quality

Note: You can connect an ARC-enabled home theater receiver to the **HDMI IN 1 (ARC)** jack.



*Connect an HD Antenna to access live over-the-air TV.

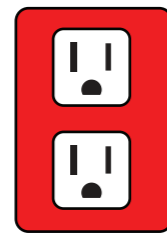
Before using your new product, please read these instructions to prevent any damage.

3 TURNING ON MY TV

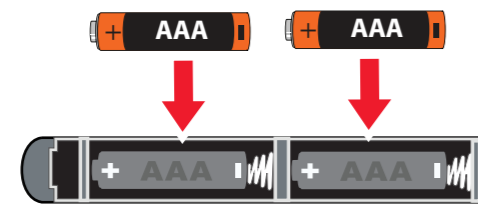
When can I turn on my TV?

WHEN YOUR TV IS IN PLACE:

1 Plug the power cord into a power outlet.



2 Remove the remote control cover and install the batteries.



3 Press (power) on your remote control.

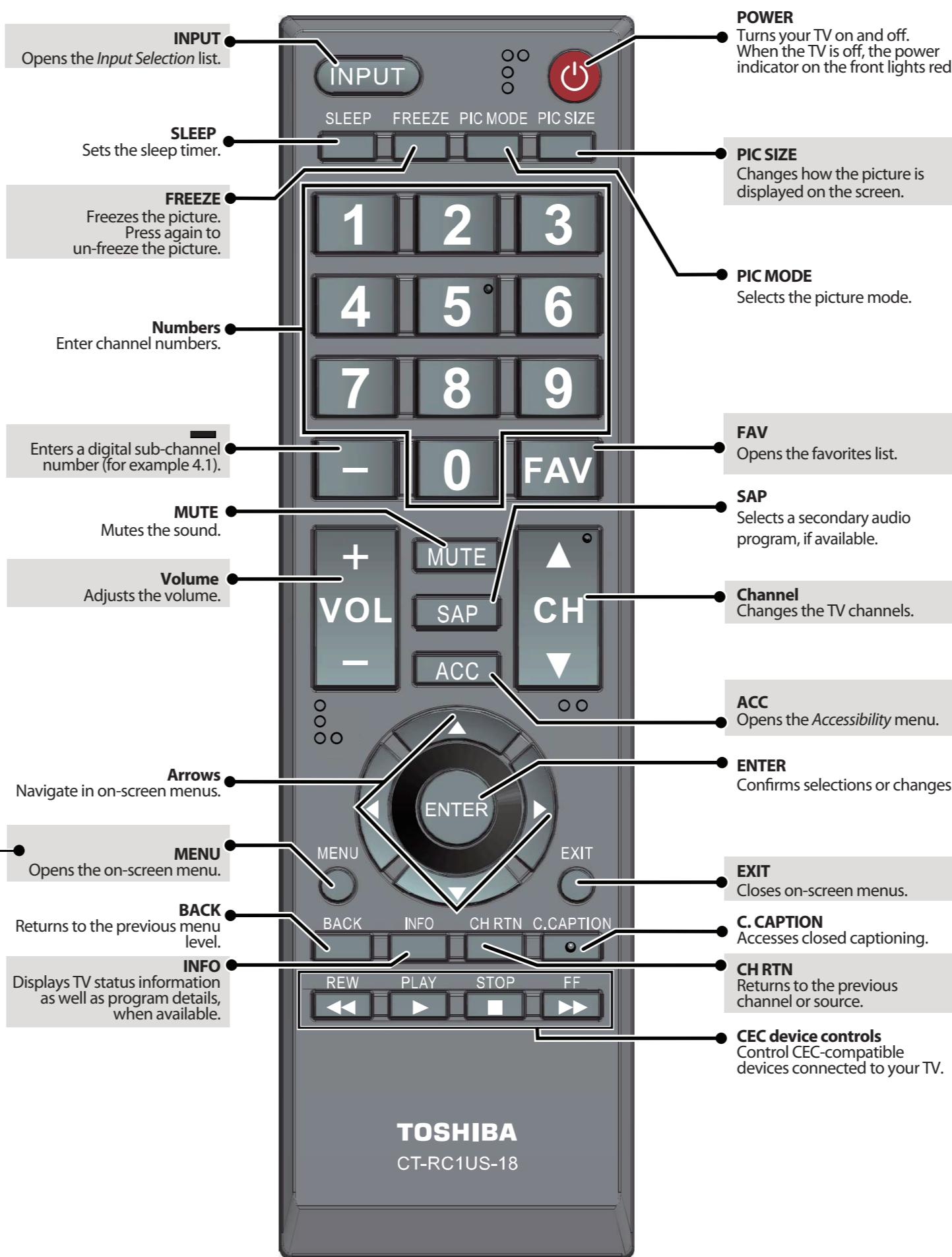
4 Follow the on-screen instructions.



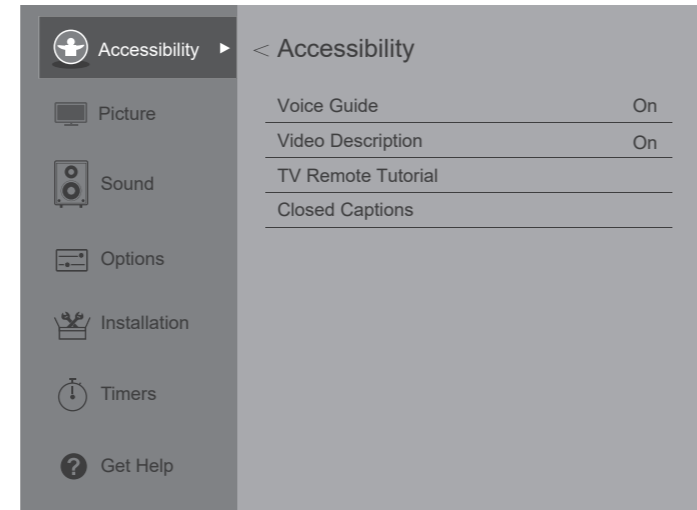
USING YOUR REMOTE CONTROL

INPUT

Input Selection	
0	ANT / CABLE
1	AV
2	HDMI 1
3	HDMI 2
4	USB



MENU



I already have a universal remote control. How do I make it control this TV?

If you already have a universal remote control that you would like to program to work with your TV and don't want to use the included Toshiba remote control, see the table below for common codes. If you do not see a code for your universal remote control or set-top box, see the documentation that came with your device.

UNIVERSAL REMOTE CONTROL CODES	
AT&T	1127, 1179, 1203, 1204, 1222, 1223, 1332, 1340, 1341, 1345, 1353, 1010, 1098, 1104, 1147, 1148, 1149, 1150, 1151, 1173, 1174, 1210, 1215, 1256, 1257, 1263, 1267, 1272, 1302, 1311, 1312, 1322, 1343, 1376, 1585, 1589, 1592, 11524, 12724, 10156, 11935, 11704, 11959, 10650, 11343, 11369, 10060
Cablevision	015, 101, 045, 030, 007, 040, 062, 142, 137, 382, 703
Charter	11524, 10822, 10845, 11656, 12006, 10154, 11256, 10156, 11265, 10060, 10650, 11156, 11356, 11704, 0154, 0156, 0060, 1256, 0832, 1704, 1936, 0650, 1156, 1656, 1935, 0845, 1356, 1918, 1945, 015, 030, 007, 040, 062, 101, 142, 045, 137, 138, 325, 258, 031, 038, 039, 423, 571
Comcast	11656, 11156, 11256, 11704, 10845, 11356, 10060, 10650, 11265, 10154, 10765, 10767, 10178, 11314, 10700, 10702, 11935, 10832, 11959, 10036, 10149, 11343, 11369, 10781, 10003, 10250, 10156, 0060, 003, 0154, 0156
Cox	074, 168, 170, 822, 093, 991, 156, 060, 154, 093, 030, 031, 038, 039, 0170, 0074, 0168, 1270, 0060, 0154, 0156, 1256, 1265, 1945, 1704, 1656, 1635, 1356, 1343, 1325, 1306, 1156, 0845, 0832, 0650, 0149, 0036, 1369, 1042, 1060, 1061, 1062, 1087, 1091, 1097, 1098, 1130, 1131, 1183, 1524, 1935, 2006, 1959, 1936, 1164, 2724
DirecTV	10156, 11656, 11256, 11704, 11356, 10060, 10650, 10154, 10765, 10178, 10700, 10702
Dish Network	617, 631, 590, 618, 635, 680, 688, 750, 847, 800, 526, 851, 852, 595, 908, 757, 850, 802, 785, 743, 849, 622, 789, 771, 744, 243, 117
RCA	11524, 11656, 10156, 11156, 11256, 12006, 11265, 11704, 11945, 10845, 1356, 12724
Rogers	1524
Time Warner	0156, 0060, 0154, 1042, 1060, 1061, 1062, 1087, 1091, 1097, 1098, 1130, 1131, 1172, 1173, 1183, 1286, 1317, 1325, 1327, 1334, 1345, 1346, 1355, 1364, 1365, 0016, 0017, 0090, 0096, 0117, 0118, 0129, 0131, 0180, 0206, 2001, 0011, 0021, 0041, 0051, 0061, 0081, 0101, 0111, 0171, 0191, 0211, 0471, 0701, 0411, 0501, 1301, 1351, 1441, 1781, 1951, 2021, 0341, 2341, 2481, 0861, 2351, 3671, 2801, 3821, 4151, 3921, 3931, 1256, 1265, 1945, 1935, 1704, 1656, 1635, 1356, 1343, 1306, 1156, 0845, 0832, 0650, 0149, 0036, 1190, 1014, 1015, 1127, 1007, 1252, 1246, 1219, 1212, 1168, 1163, 1018, 1114, 1028, 1071, 1300, 1338, 1353, 1369, 030, 007, 040, 062, 101, 142, 137, 045, 015, 062, 142, 137, 703, 138, 230, 258, 325
Verizon	0087, 0181, 0183, 0677, 0859, 0872, 1172, 1183, 1283, 1292, 1383, 1683, 1731, 3015, 3022, 3023, 3051, 3052, 3053, 3055, 3059, 3062, 3066, 3072, 3074, 3078, 3080, 3087, 3089, 3093, 3147, 3167, 3168, 3169, 3171, 3173, 3182, 3187, 3188, 3207, 3214, 3220, 397

TOSHIBA

Access the online User Guide
Go to www.tv.toshiba.com and follow the online instructions.

Many questions regarding parts, service, and warranties can be answered by visiting the Customer Support Section of our website: www.tv.toshiba.com

Contact Toshiba Customer Support Center
1-855-527-2411 From the United States and Canada

HDMI

The Adopted Trademarks HDMI, HDMI High-Definition Multimedia Interface, and the HDMI Logo are trademarks or registered trademarks of HDMI Licensing Administrator, Inc. in the United States and other countries.

Distributed and warranted by Best Buy Purchasing LLC
7601 Penn Avenue South, Richfield, MN 55423 USA

©2019 Best Buy China LTD. All rights reserved.
Toshiba is a registered trademark of Toshiba Corporation.
All other trademarks are property of their respective owners.