

# TOSHIBA

# fire tv edition

43" / 50" / 55" 60 Hz LED TV / 4K ULTRA HD

## QUICK SETUP GUIDE

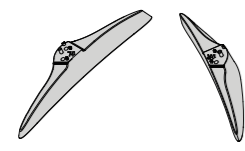
**43LF621C19 | 50LF621C19  
55LF621C19**

### INCLUDED ACCESSORIES



Voice Remote with Alexa and two AAA batteries

43"

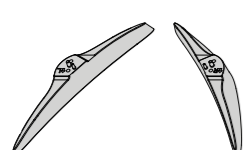


Stand legs



M5 screws (27 mm length)  
(4 pcs.)

50"



Stand legs

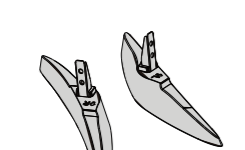


M5 screws (35 mm length)  
(4 pcs.)

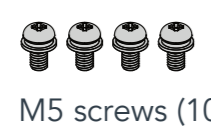


Power cord

55"



Stand legs



M5 screws (10 mm length)  
(4 pcs.)



Power cord

### FIND YOUR USER GUIDE ONLINE!

Go to [www.tv.toshiba.com](http://www.tv.toshiba.com) and search for 43LF621C19, 50LF621C19, or 55LF621C19.

### WHAT YOU NEED (not included)



Phillips screwdriver



Internet connection (wired or wireless)\*

\*Subscription or other payment may be required to access certain content.

## 1 START HERE

How do I attach the stand to my TV? (not for wall mounting)

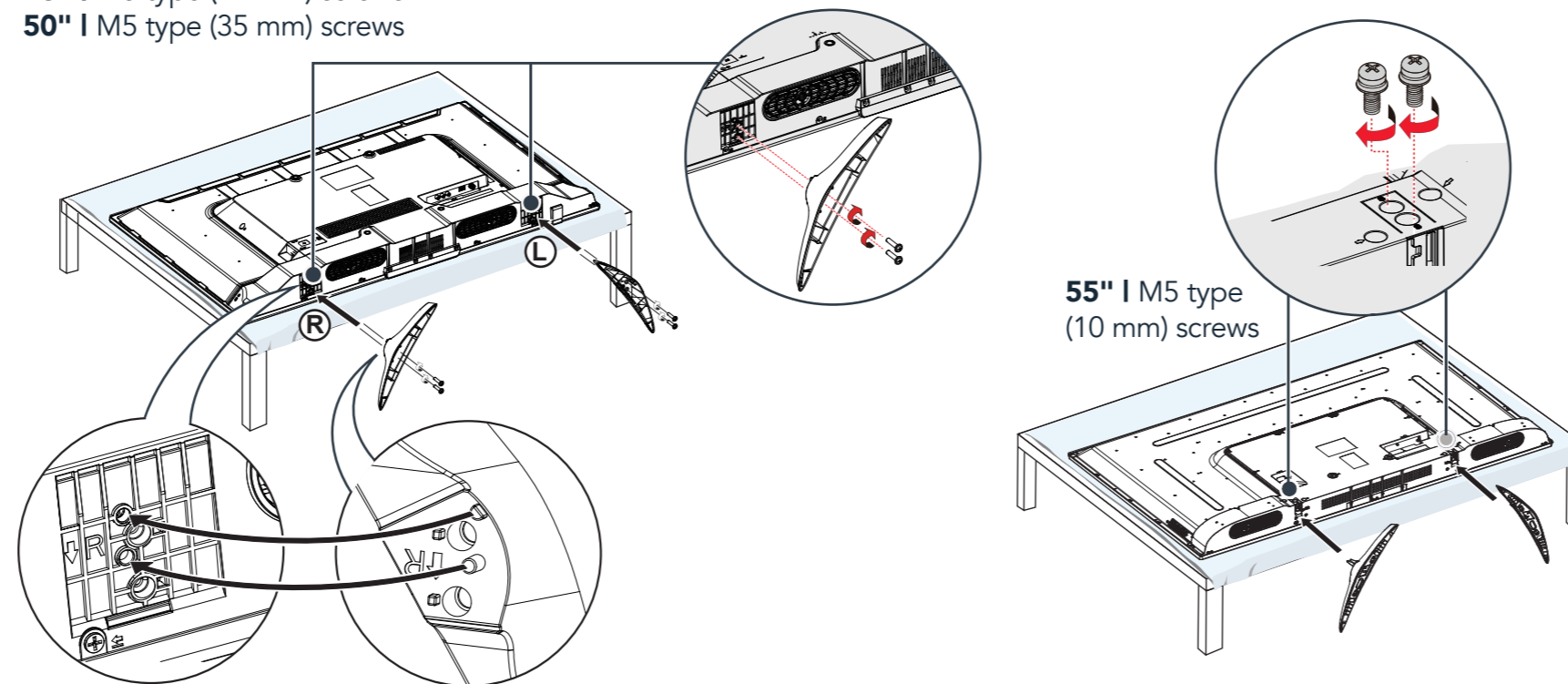
**You'll need:** Soft surface and a Phillips screwdriver.

**A** Carefully place your TV face-down on a cushioned, clean surface.

**B** Secure each TV stand leg to the back of your TV with two of the provided screws.

43" | M5 type (27 mm) screws

50" | M5 type (35 mm) screws



## WALL MOUNT

How do I prepare my TV for wall mounting? (not for use with a TV stand)

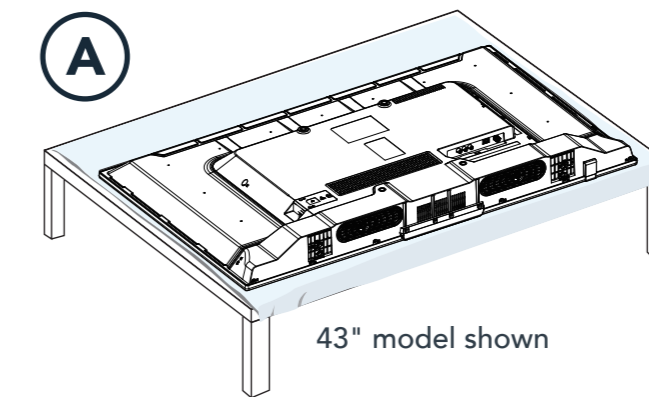
**You'll need:** Soft surface and a Phillips screwdriver.

Before you mount your TV, make sure that:

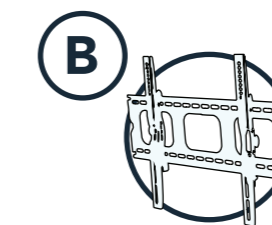
- You remove the stand legs.
- The bracket supports the weight of your TV.

**A** Carefully place your TV face-down on a cushioned, clean surface.

**B** See the instructions that came with your wall mount for more information about how to correctly mount your TV.



43" model shown



### VESA Mounting Pattern

43" 200 x 300 – M6 x 25 mm type screws (4 pcs)

50" 400 x 200 – M6 x 25 mm type screws (4 pcs)

55" 200 x 300 – M6 x 20 mm type screws (4 pcs)

Your TV has four VESA mounting holes on the back. If you attach a wall-mount bracket to the back of your TV, **the bracket must be securely attached, using all four holes.** If you do not use all four mounting holes, your TV may fall and cause property damage or personal injury. See the documentation that came with your wall mount for complete mounting instructions.

## FEATURES

Front



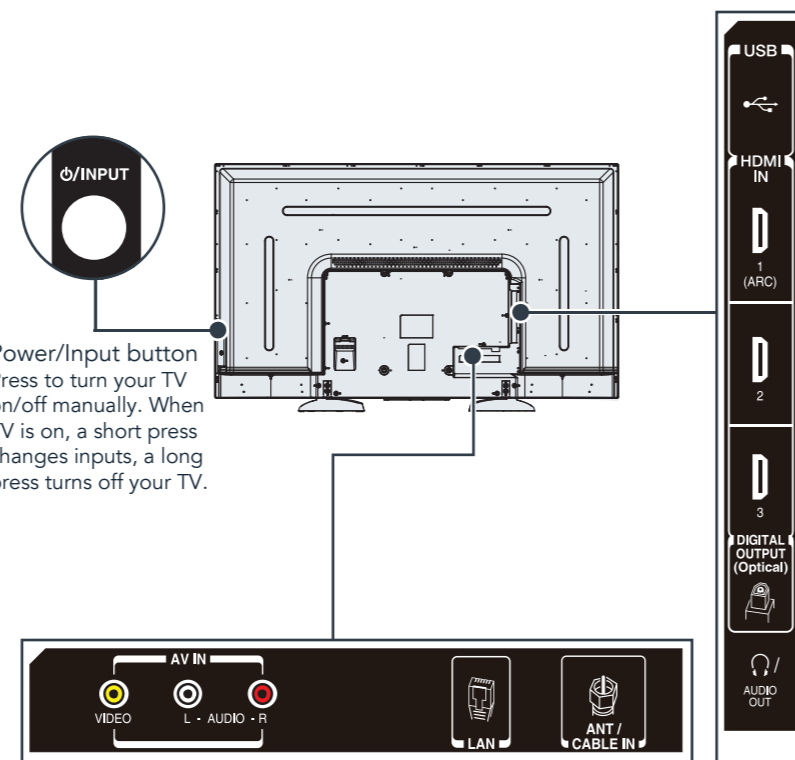
Remote sensor

43" Power On/Standby LED

Remote sensor

55" 50" Power On/Standby LED

Back



Power/Input button

Press to turn your TV on/off manually. When TV is on, a short press changes inputs, a long press turns off your TV.

## 2 MAKING CONNECTIONS

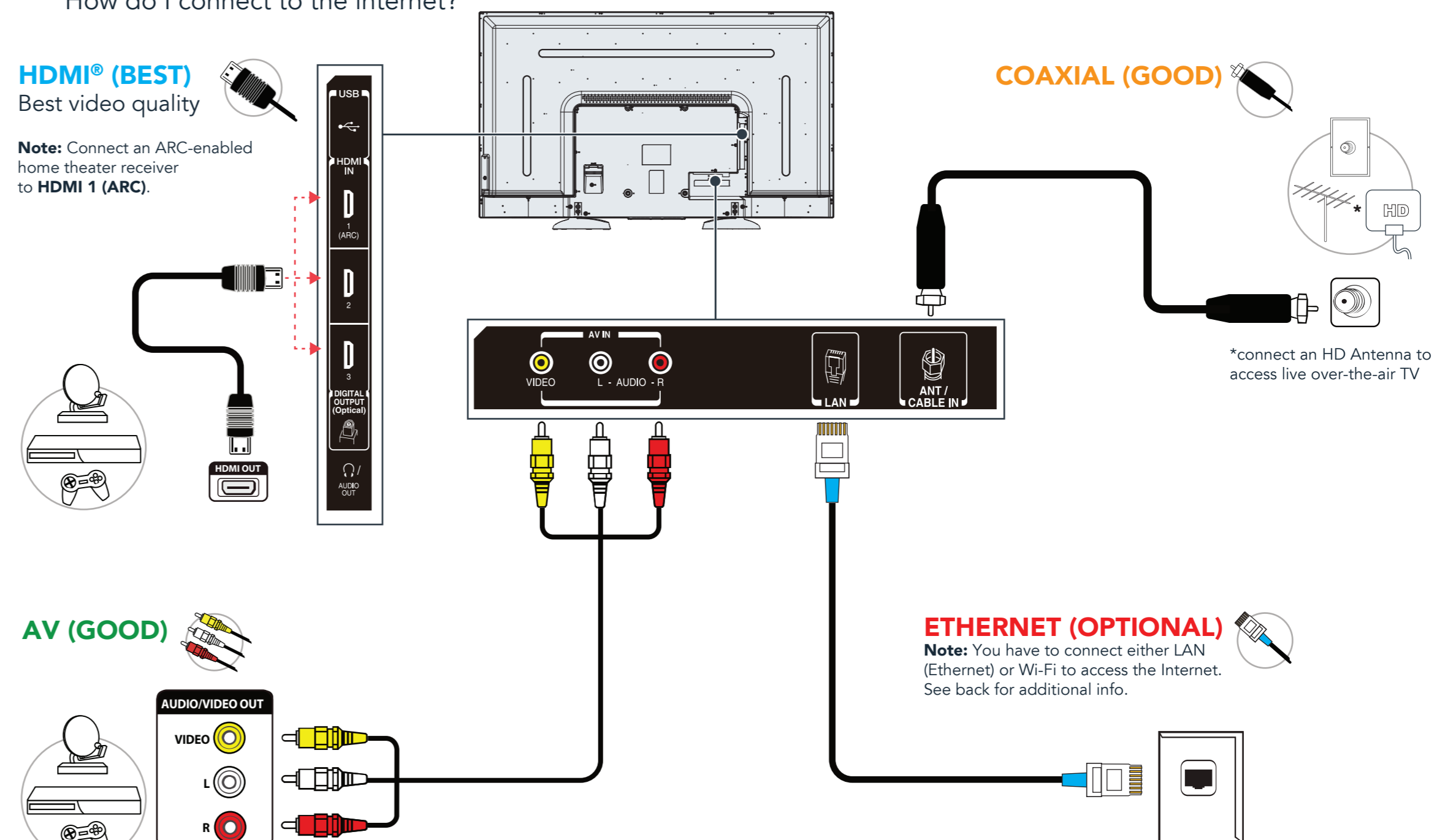
How do I watch TV (cable, satellite, or antenna) or connect a device such as a DVD or Blu-ray disc player or game console?

How do I connect to the internet?

### HDMI® (BEST)

Best video quality

**Note:** Connect an ARC-enabled home theater receiver to **HDMI 1 (ARC).**



### AV (GOOD)

### COAXIAL (GOOD)

### ETHERNET (OPTIONAL)

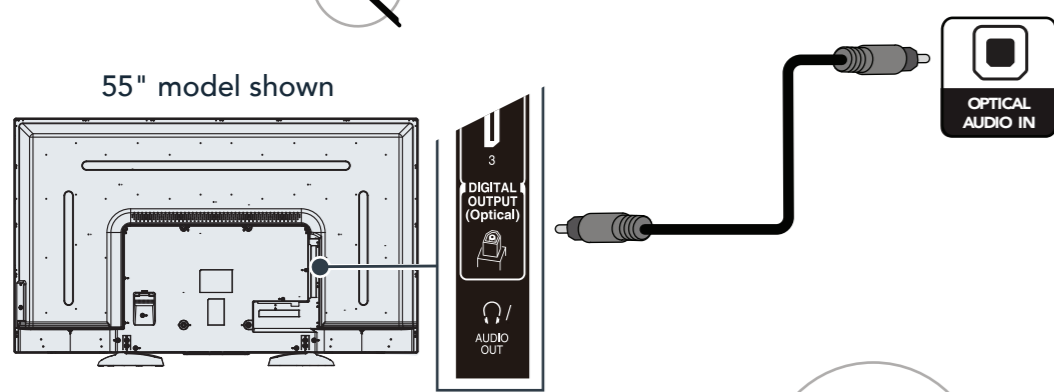
**Note:** You have to connect either LAN (Ethernet) or Wi-Fi to access the Internet. See back for additional info.

Before using your new product, please read these instructions to prevent any damage.

### 3 CONNECTING AUDIO DEVICES

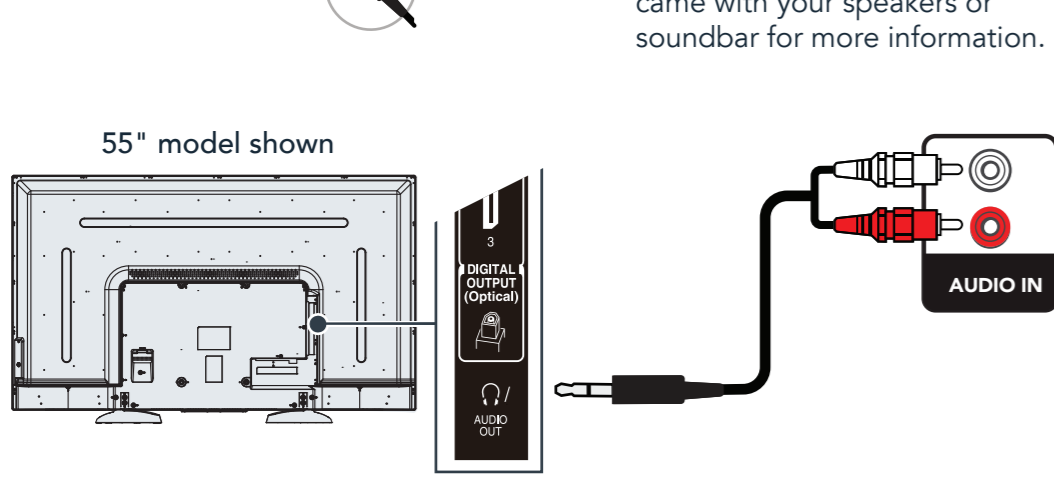
How do I connect my TV to external speakers?

#### Using digital audio



OR

#### Using analog audio



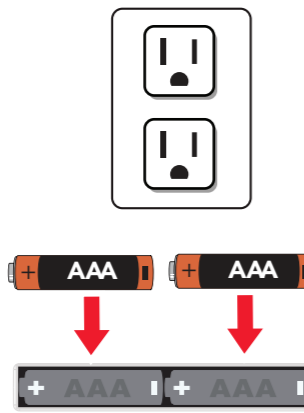
**Note:** See the instructions that came with your speakers or soundbar for more information.

### 4 TURNING ON MY TV

When can I turn on my TV?

#### WHEN YOUR TV IS IN PLACE:

- 1 Plug the power cord into a power outlet.  
**Note:** On the 50" and 55" models, plug the power cord into the AC IN jack on the back of your TV, then plug the other end into a power outlet.
- 2 Remove the remote control cover and install the batteries.
- 3 Press on your Voice Remote with Alexa.
- 4 Follow the on-screen instructions.



**WARNING:** To reduce the risk of fire or electric shock, do not expose this apparatus to rain or moisture.



The lightning flash with arrowhead symbol within an equilateral triangle is intended to alert the user to the presence of uninsulated "hazardous voltage" within the product's enclosure, which may be of sufficient magnitude to induce a risk of electric shock to persons.

The exclamation mark inside an equilateral triangle is intended to alert the user to the presence of important operating and maintenance (servicing) instructions in the literature accompanying the product.

#### AMAZON TERMS & POLICIES

Before using Fire TV Edition, please read the terms located at [www.amazon.com/deviceservices/support](http://www.amazon.com/deviceservices/support). Please also read all terms and policies for services related to Fire TV Edition, including but not limited to Amazon's Privacy Notice located at [www.amazon.ca/privacy](http://www.amazon.ca/privacy), Amazon's Conditions of Use located at [www.amazon.ca/conditionsofuse](http://www.amazon.ca/conditionsofuse), and any other terms or usage provisions available at [www.amazon.com/deviceservices/support](http://www.amazon.com/deviceservices/support). All terms, rules, notices, policies, and provisions are, collectively, the "Agreements." By using Fire TV Edition, you agree to be bound by the terms of the Agreements.

### 5 COMPLETE THE ON-SCREEN SETUP

Using your remote, follow the on-screen setup.

- 1 Your TV should automatically be paired to your new Voice Remote with Alexa. If there were issues, you will be prompted to pair your remote by pressing down the "Home" button. If you continue to have issues, please try re-inserting your batteries or replacing them and repeat this step again.
- 2 Select your Wi-Fi network from the networks displayed on the screen.  
**Note:** If your Wi-Fi network is password protected, have your Wi-Fi network password handy to connect your TV to the Internet. If your network is hidden, select the **Join Other Network** tile from the list. If required, enter your network password using the on-screen keyboard.
- 3 Select your experience: **Full** (Recommended) or **Basic**.
  - **Full:** Get the most out of your experience with access to live TV, tens of thousands of movies and TV episodes, thousands of apps, and Alexa skills. To get started, sign in or sign up for a free Amazon account.
  - **Basic:** This experience is limited to live TV and only six streaming apps. Alexa and the full Appstore are not included.

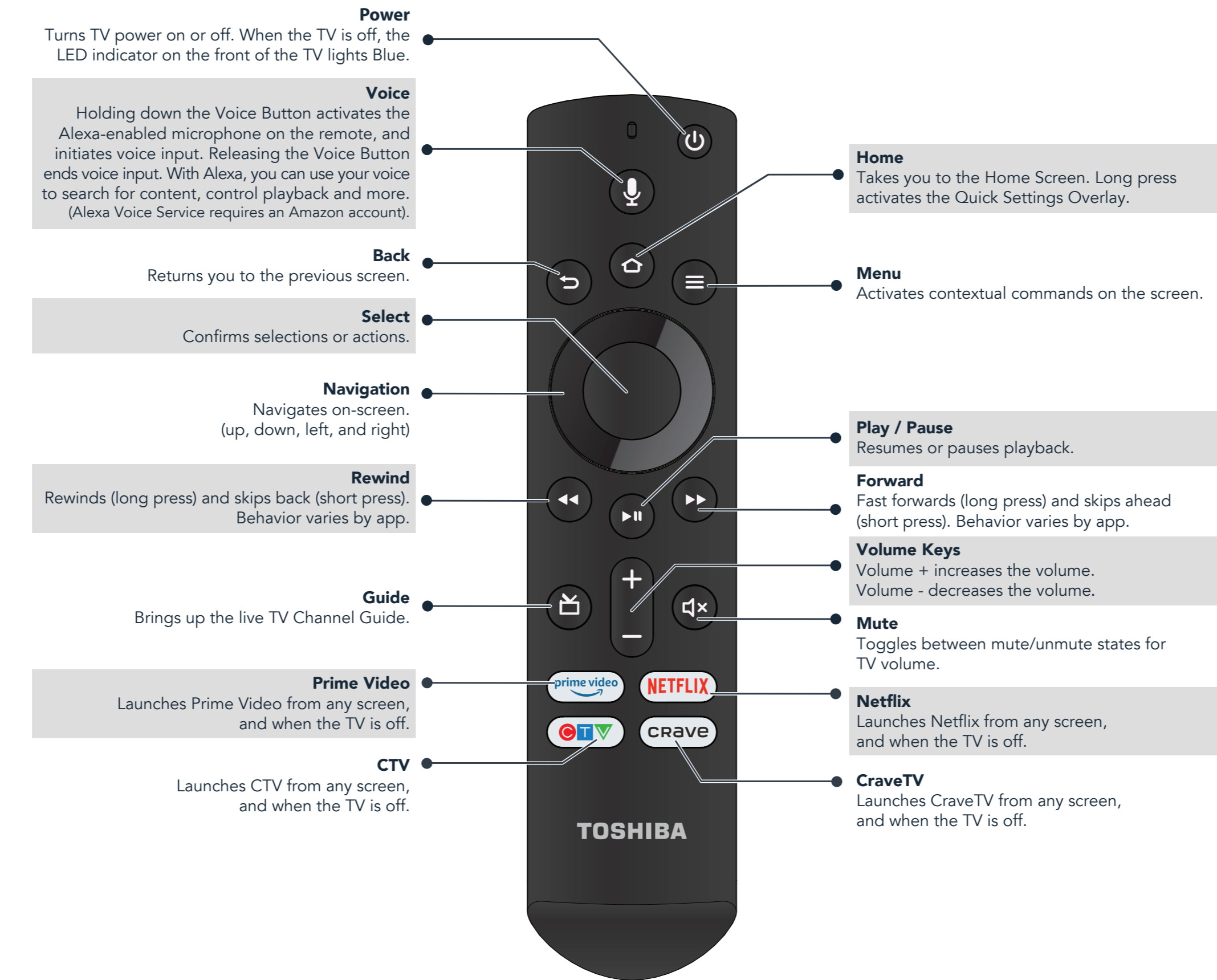
### 6 OPTIONAL

(Watching live over-the-air TV)

If you connected your TV to an antenna or cable wall jack, please complete the following steps:

- 1 When setup is complete, run a channel scan by going to **Settings > Live TV > Channel Scan**.
- 2 Follow the on-screen instructions to finish scanning for channels.
- 3 To browse and watch live over-the-air TV, use the **On Now** row or press the Guide button on your remote.

### USING YOUR VOICE REMOTE WITH ALEXA



# TOSHIBA

## fire tv edition

**A SmarterTV Is Here**  
4K Picture Quality, Fire TV Experience Built-In, Voice Remote with Alexa

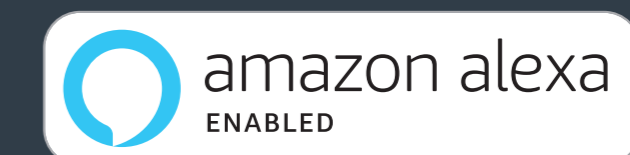
- Access Your Favorite Content – All Through One Home Screen**  
Fire TV Edition seamlessly integrates live over-the-air TV and streaming channels on a unified home screen
- Endless Entertainment – Netflix, Prime Video, CraveTV, and more** – Watch tens of thousands of streaming movies and TV episodes with access to thousands of channels, apps, and Alexa skills
- Control It All With Your Voice – Voice Remote with Alexa**  
Use your voice to control live TV playback, launch apps, search for TV shows, play music, switch inputs, control smart home devices and more  
Full Experience required to access all features described.

#### Access the online User Guide

Go to [www.tv.toshiba.com](http://www.tv.toshiba.com) and search for your model number. Many questions regarding parts, service, and warranties can be answered by visiting the Support section of our website: [www.tv.toshiba.com](http://www.tv.toshiba.com)

**Contact Toshiba Customer Support Center**  
1-(855) 527-2411 From the United States and Canada

**Contact Amazon Fire TV Customer Service**  
[www.amazon.ca/firetv/contactus](http://www.amazon.ca/firetv/contactus)



The terms HDMI and HDMI High-Definition Multimedia Interface, and the HDMI Logo are trademarks or registered trademarks of HDMI Licensing Administrator, Inc. in the United States and other countries.

Manufactured under license from Dolby Laboratories. Dolby, Dolby Audio, and the double-D symbol are trademarks of Dolby Laboratories.

For DTS Patents, see <http://patents.dts.com>. Manufactured under license from DTS Licensing Limited. DTS, the Symbol, & DTS and the Symbol together are registered trademarks and DTS Studio Sound is a trademark of DTS, Inc. © DTS, Inc. All Rights Reserved.

Amazon, Fire, Alexa, Prime, and all related logos are trademarks of Amazon.com, Inc. or its affiliates.

Certain services are subject to change at any time, may not be available in all areas, and may require separate subscriptions. Not all services or titles may be available in 4k UHD.

Distributed and warranted by Best Buy Purchasing LLC  
7601 Penn Avenue South, Richfield, MN 55423 USA

©2018 Best Buy. All rights reserved.  
**Made in China**