

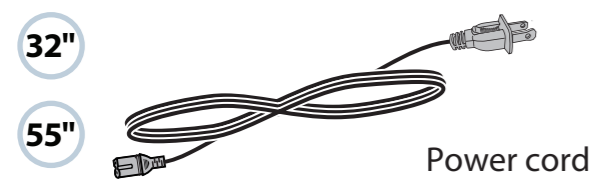
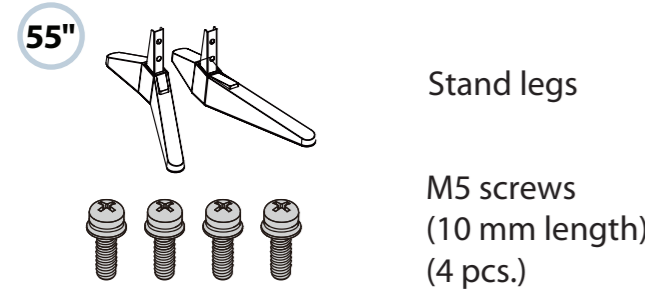
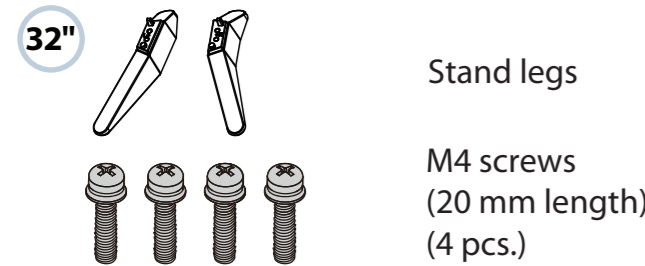
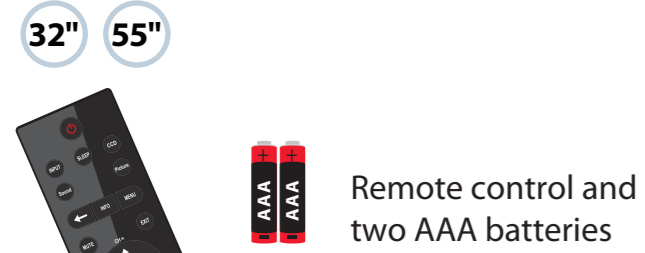
TOSHIBA

Leading Innovation >>>

Quick Setup Guide | 32L221U/55L421U

32" 720p, 60Hz, LED CHROMECAST BUILT-IN TV
55" 1080p, 60Hz, LED CHROMECAST BUILT-IN TV

INCLUDED ACCESSORIES



What you need (not included)

Phillips screw driver

Mobile device such as a tablet or phone running an Android™ or Apple® iOS.

Internet connection (wired or wireless)

*Subscription or other payment may be required to access certain content.

FIND YOUR USER GUIDE ONLINE!
Go to www.tv.toshiba.com and follow the online instructions.

WARNING: To reduce the risk of fire or electric shock, do not expose this apparatus to rain or moisture.



The lightning flash with arrowhead symbol within an equilateral triangle is intended to alert the user to the presence of uninsulated "hazardous voltage" within the product's enclosure, which may be of sufficient magnitude to induce a risk of electric shock to persons.

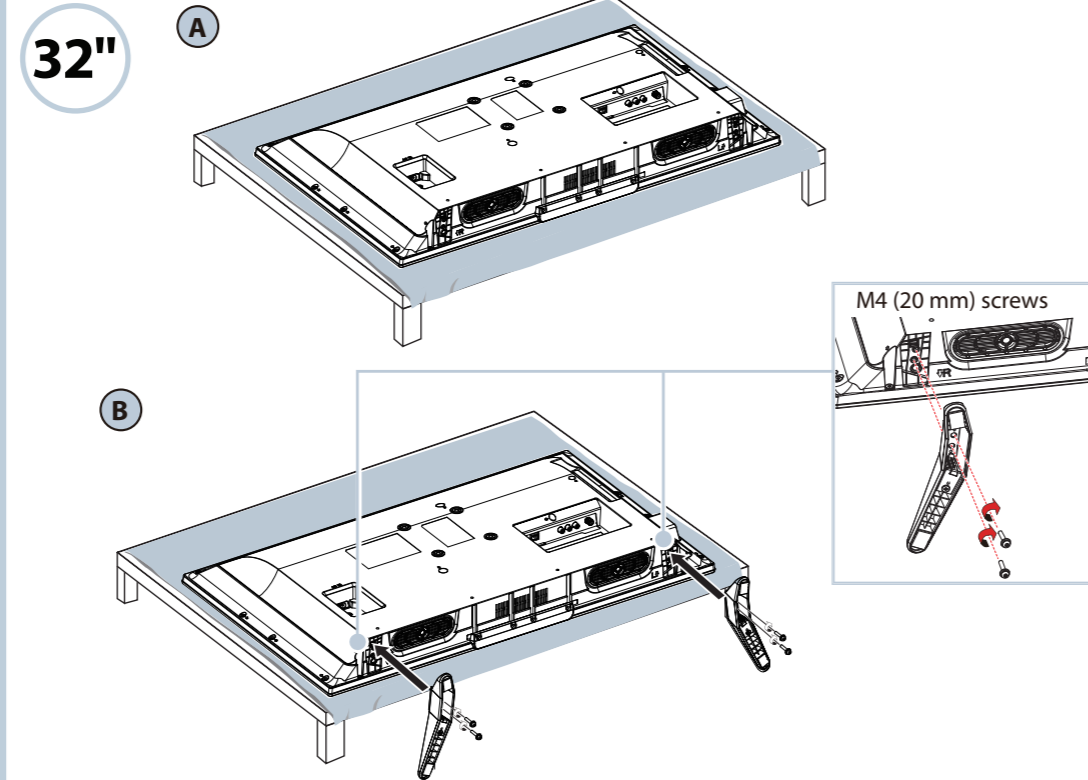
The exclamation mark inside an equilateral triangle is intended to alert the user to the presence of important operating and maintenance (servicing) instructions in the literature accompanying the product.

IMPORTANT: See the online *User Guide* before installing the TV on a wall.
URL: www.tv.toshiba.com

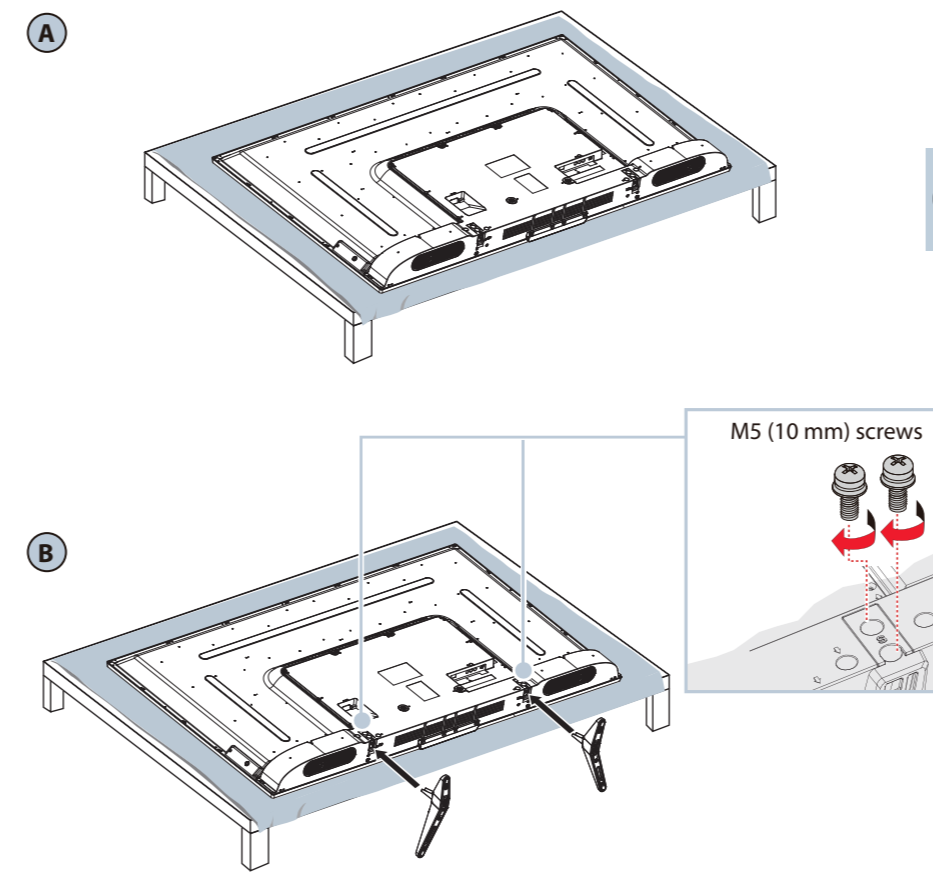
1 START HERE

How do I attach the stands to my TV? (not for wall mounting)
You'll need: Soft surface and a Phillips screwdriver.

- A Carefully place your TV face-down on a cushioned, clean surface.
- B Secure each TV stand leg to the bottom of your TV with two of the provided screws.



55"



32" WALL MOUNT

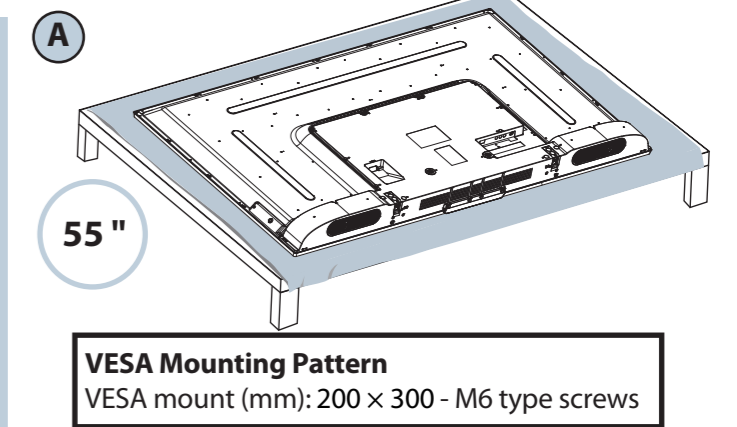
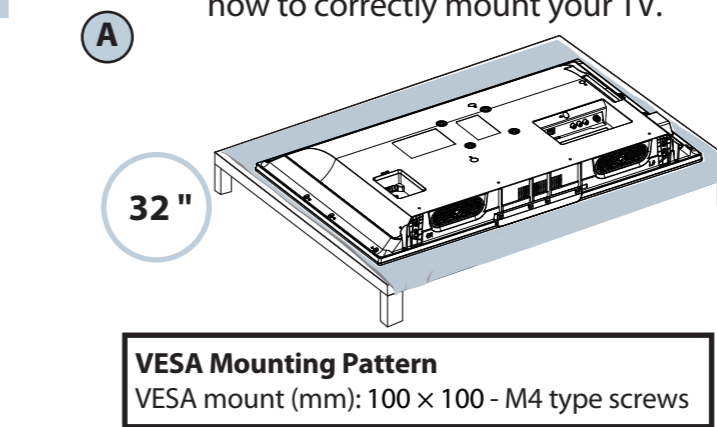
How do I prepare my TV for wall mounting? (not for use with a TV stand)
You'll need: Soft surface and a Phillips screwdriver

Before you mount your TV, make sure that:

- You remove the stand legs.
- The wall-mount bracket is listed by an independent laboratory (such as UL, CSA, or ETL).
- The bracket supports the weight of your TV.

A Carefully place your TV face-down on a cushioned, clean surface.

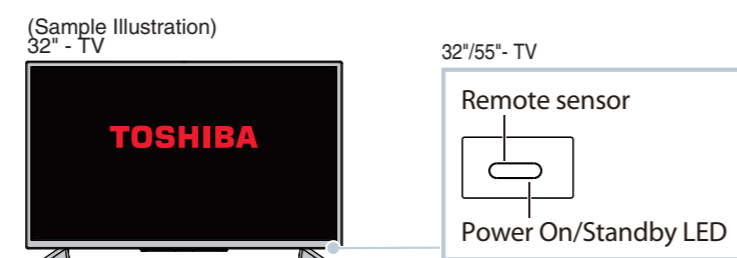
B See the instructions that came with your wall mount for more information about how to correctly mount your TV.



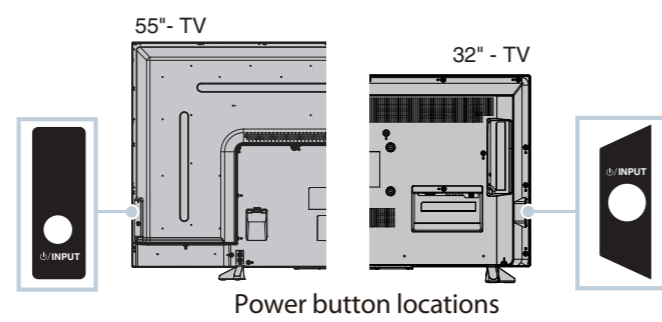
Your TV has four VESA mounting holes on the back. If you attach a wall-mount bracket to the back of your TV, **the bracket must be securely attached, using all four holes.** If you do not use all four mounting holes, your TV may fall and cause property damage or personal injury. See the documentation that came with your wall mount for complete mounting instructions.

FEATURES 32" 55"

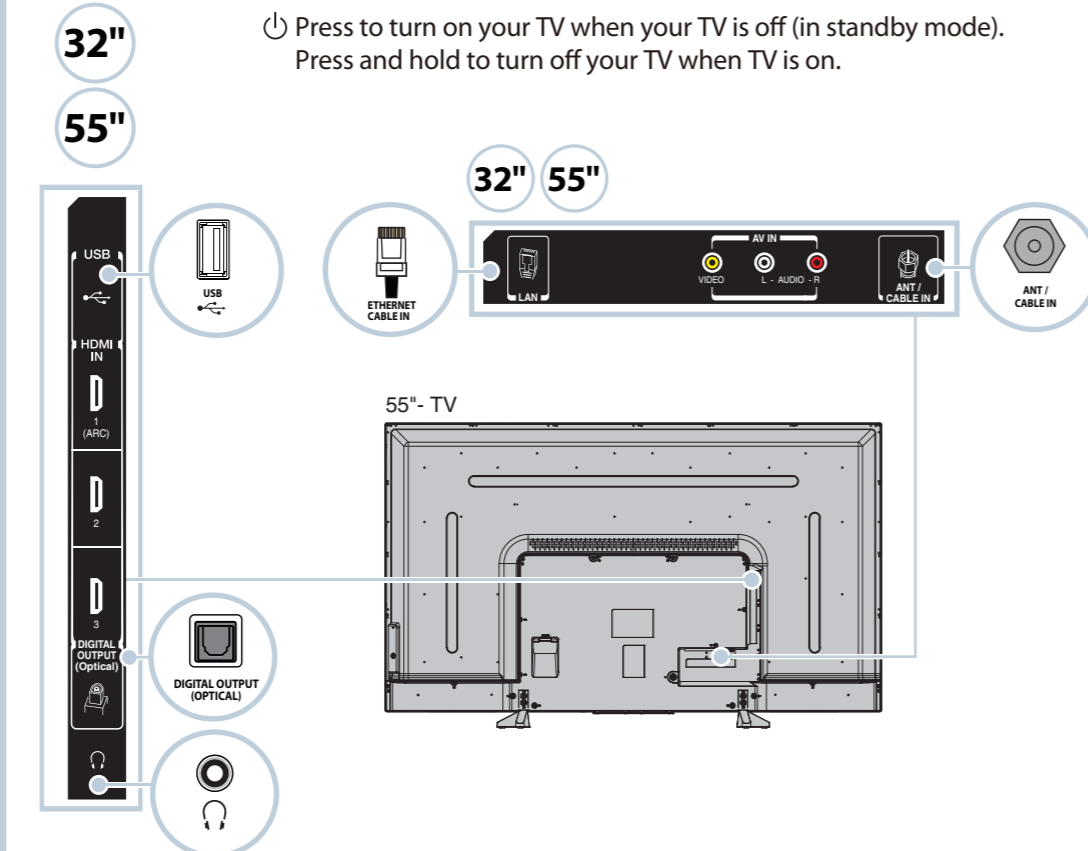
Front



Back



Press to turn on your TV when your TV is off (in standby mode).
Press and hold to turn off your TV when TV is on.

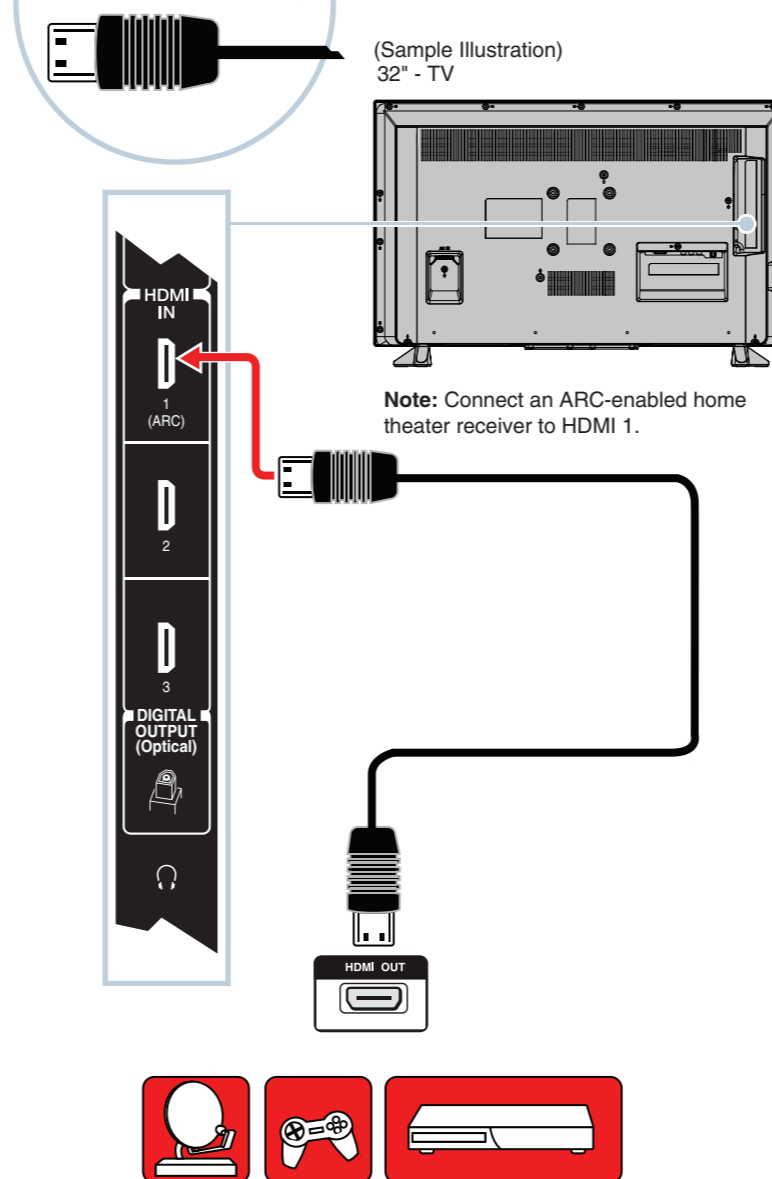


2 MAKING CONNECTIONS

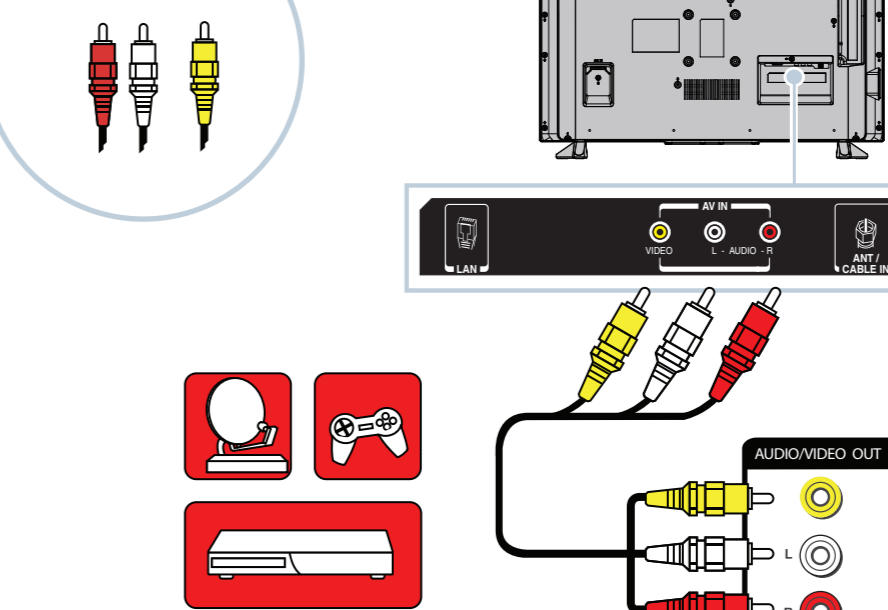
How do I watch TV (cable, satellite, or antenna) or connect a device such as a DVD or Blu-ray disc player or game console?

HDMI® (BEST)

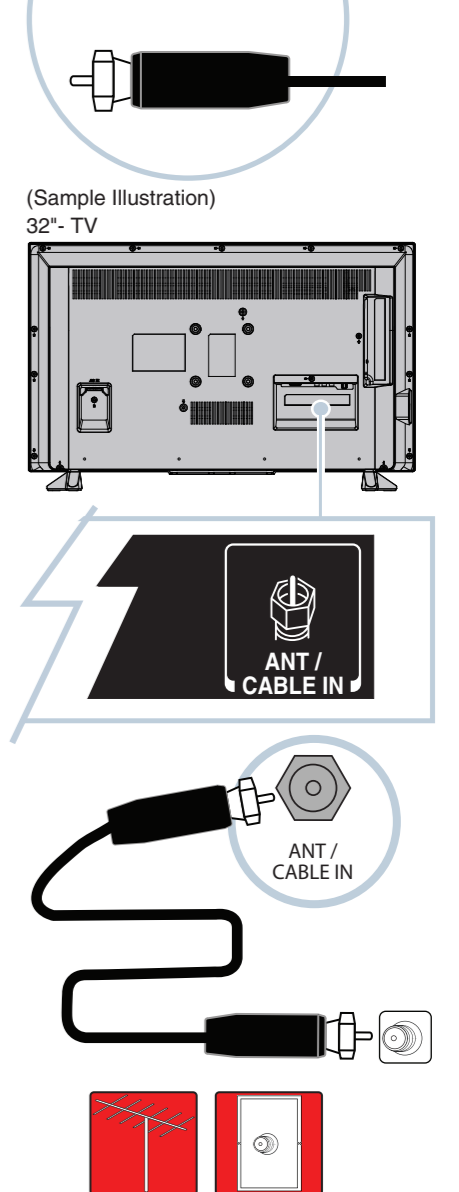
Best video quality



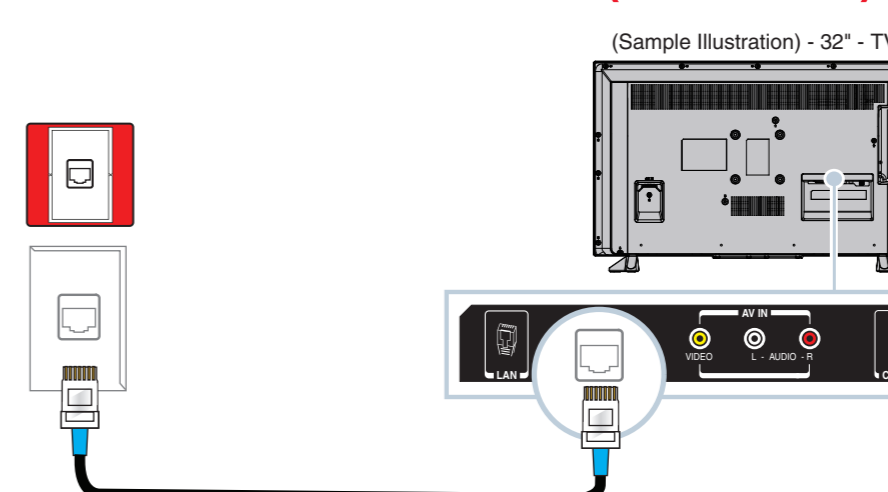
AV (GOOD)



Coaxial (GOOD)



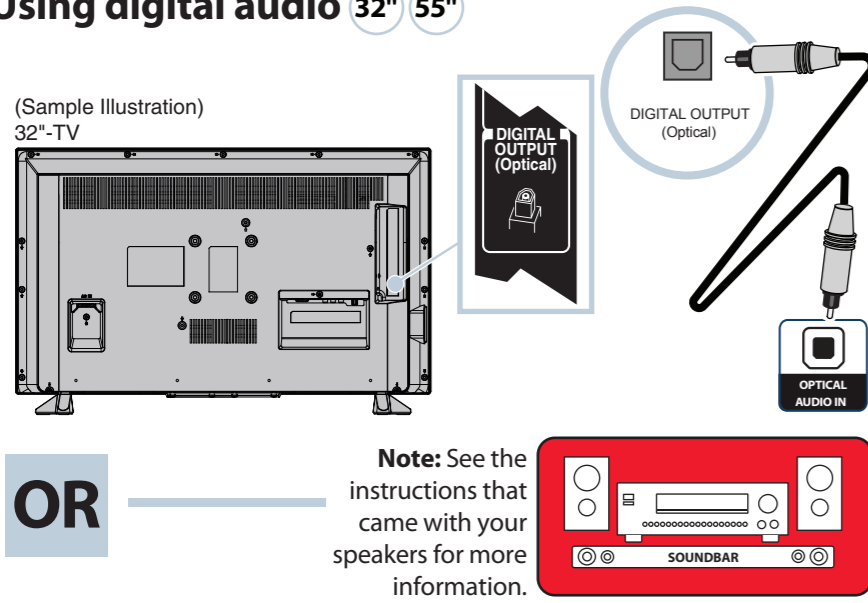
CONNECTING ETHERNET (OPTIONAL)



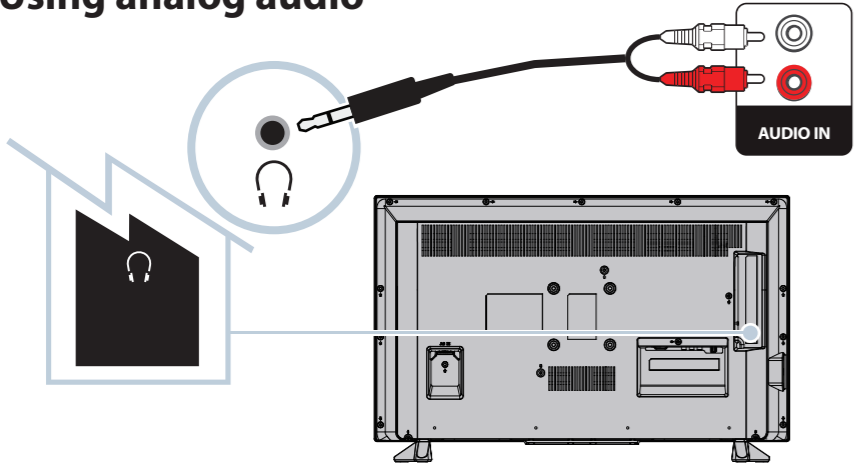
Note: For Chromecast built-in setup, you have to connect either LAN or Wi-Fi to access the Internet. See back for additional info.

3 CONNECTING EXTERNAL SPEAKERS

How do I connect my TV to external speakers?
Using digital audio 32" 55"



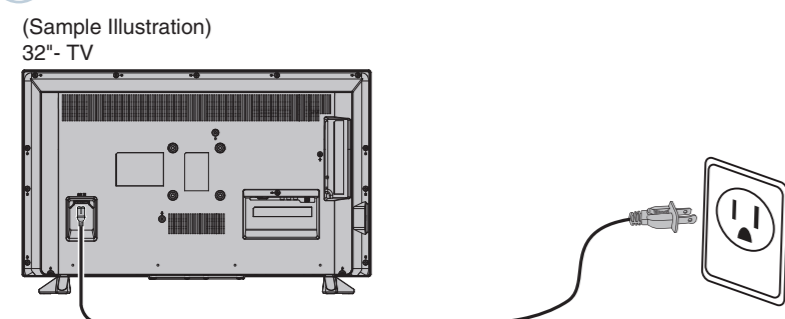
Using analog audio



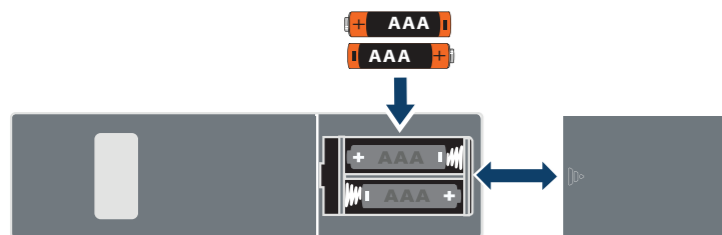
4 TURNING ON MY TV

When can I turn on my TV?
WHEN YOUR TV IS IN PLACE:

- 1 **32"** Plug the power cord into the AC IN jack on the back of your TV, then plug the other end into a power outlet.



- 2 Remove the remote control cover and install the batteries.



- 3 Press **(Power)** on your remote control.
- 4 Follow the on-screen instructions to set up Chromecast built-in.
 - Connect your iOS or Android device to your home WiFi network
 - Visit www.google.com/cast/setup
 - Download the Google Home app from the Google Play Store or App Store
 - Open the Google Home app and follow the instructions.

OR

 - Press **EXIT** to skip the Chromecast built-in setup and go to standard TV viewing.

Note: If you select **EXIT**, you can set up Chromecast built-in later by pressing the **Chromecast built-in** button on the remote control.



5 USING YOUR REMOTE CONTROL

INPUT

Input Selection	
0	ANT / CABLE
1	Chromecast built-in
2	AV
3	HDMI 1
4	HDMI 2
5	HDMI 3
6	USB

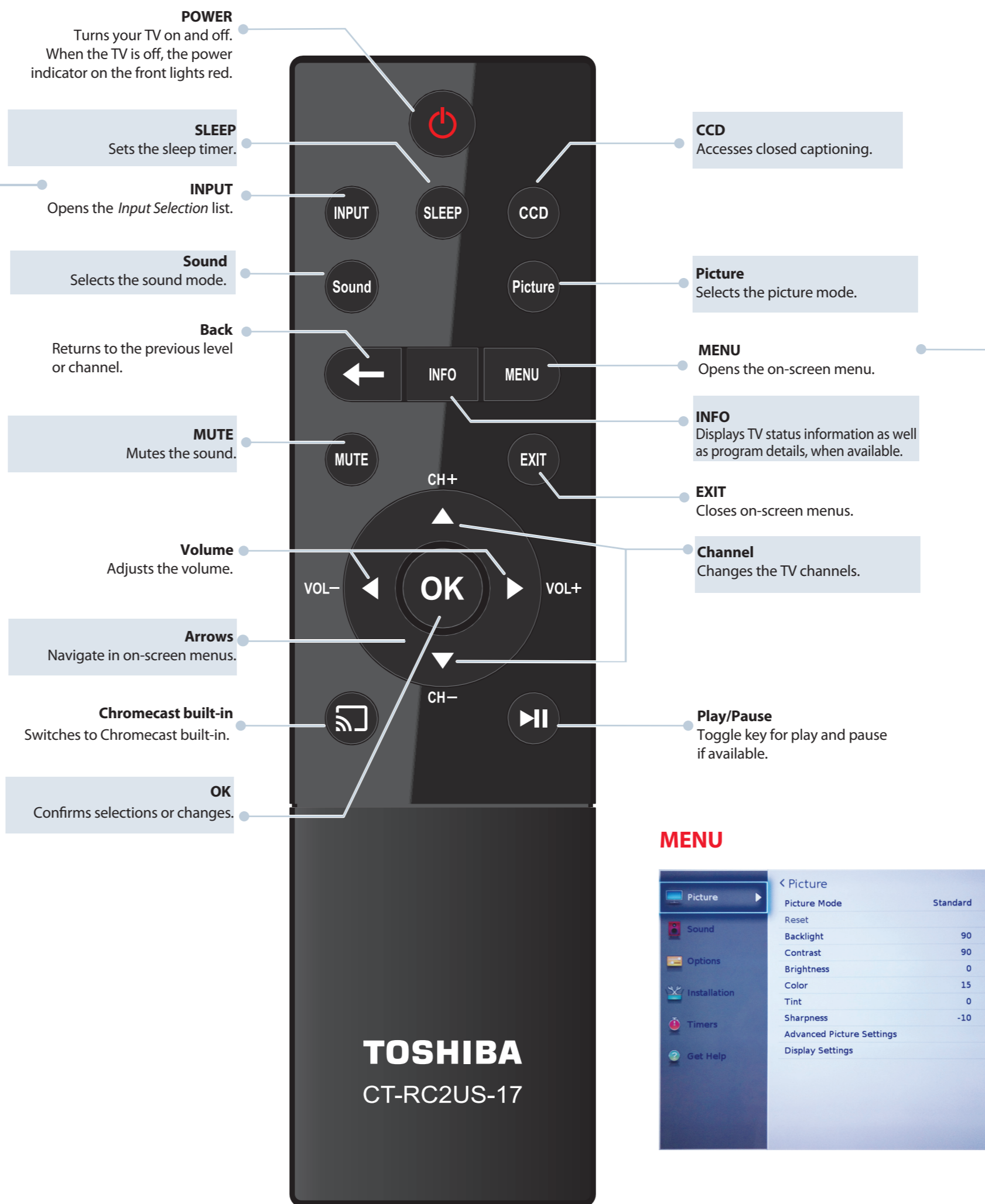
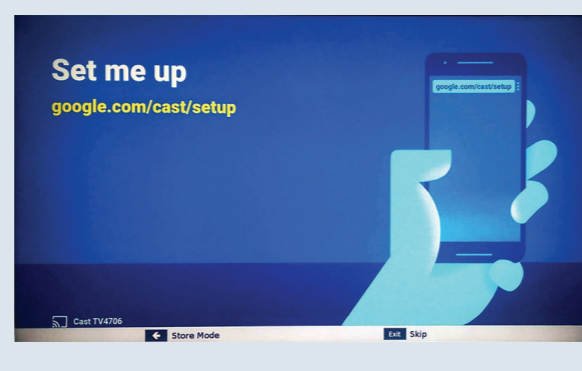
Note: If you did not scan for channels during setup, or have never performed a channel scan on your TV, Chromecast built-in appears at the top of the *Input Selection* list.

Input Selection	
0	Chromecast built-in
1	ANT/CABLE
2	AV
3	HDMI 1
4	HDMI 2
5	HDMI 3
6	USB

SETTING UP CHROMECAST BUILT-IN

If you did not set up Chromecast built-in during setup, press the **Chromecast built-in** button on the remote control. The *Set me up* page appears.

- Connect your iOS or Android device to your home WiFi network
- Visit www.google.com/cast/setup
- Download the Google Home app from the Google Play Store or App Store
- Open the Google Home app and follow the instructions.



MENU



TOSHIBA

Leading Innovation >>>

Access the online *User Guide*

Go to www.tv.toshiba.com and follow the online instructions.

Many questions regarding parts, service, and warranties can be answered by visiting the Customer Support Section of our website: www.tv.toshiba.com

Contact Toshiba Customer Support Center (855) 527-2411 From the United States and Canada

HDMI

The terms HDMI and HDMI High-Definition Multimedia Interface, and the HDMI Logo are trademarks or registered trademarks of HDMI Licensing LLC in the United States and other countries. All other brand and product names are trademarks or registered trademarks of their respective companies.

Chromecast is a trademark of Google Inc.

© Copyright 2016
Distributed and warranted by Best Buy Purchasing LLC
(7601 Penn Avenue South, Richfield, MN 55423 USA)
Made in China