

# TOSHIBA

Leading Innovation >>>

## Quick Setup Guide | 43/49/55L310U

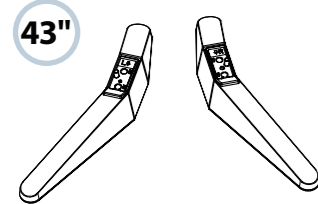
43"/49"/55" 1080p, 60Hz, LED TV

### INCLUDED ACCESSORIES

43" 49" 55"



Remote control and two AAA batteries

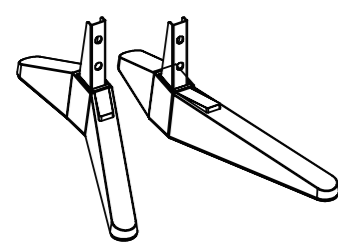


Stand legs

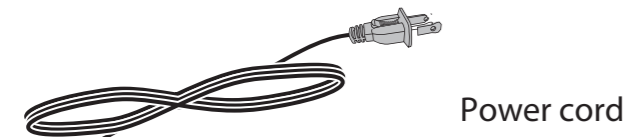


M5 screws (25 mm length) (4 pcs.)

49" 55"



Stand legs



Power cord



M5 screws (10 mm length) (4 pcs.)

**FIND YOUR USER GUIDE ONLINE!**  
Go to [www.tv.toshiba.com](http://www.tv.toshiba.com) and follow the online instructions.

**WARNING:** To reduce the risk of fire or electric shock, do not expose this apparatus to rain or moisture.

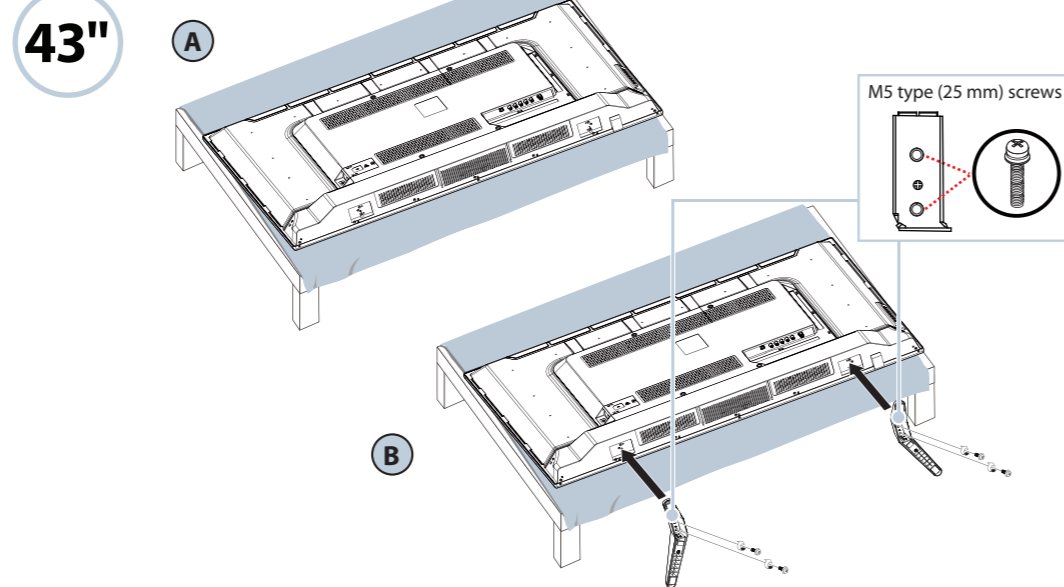


The lightning flash with arrowhead symbol within an equilateral triangle is intended to alert the user to the presence of uninsulated "hazardous voltage" within the product's enclosure, which may be of sufficient magnitude to induce a risk of electric shock to persons.

The exclamation mark inside an equilateral triangle is intended to alert the user to the presence of important operating and maintenance (servicing) instructions in the literature accompanying the product.

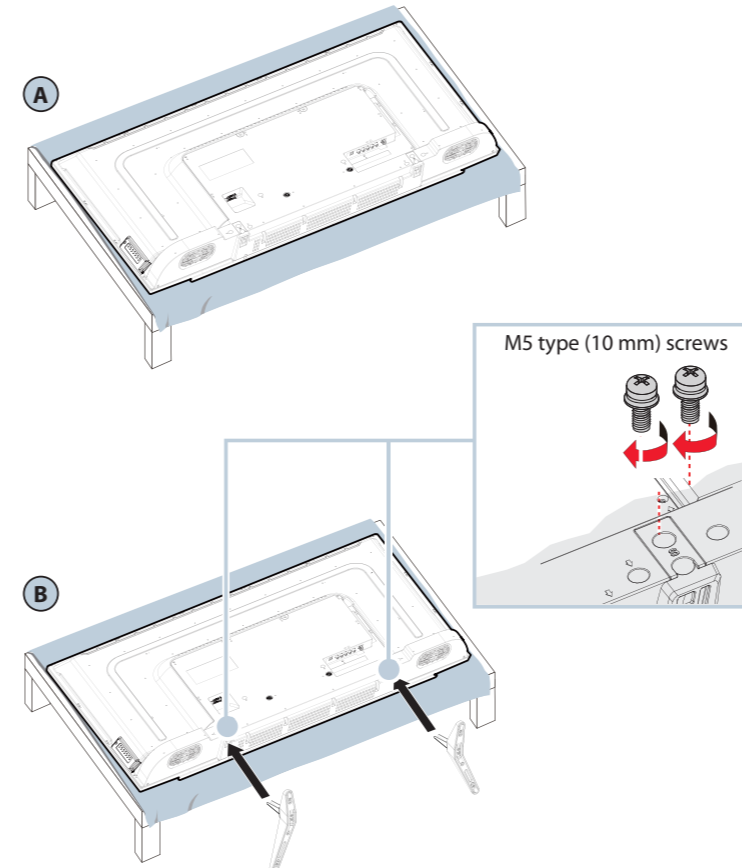
**IMPORTANT:** See the online *User Guide* before installing the TV on a wall.  
URL: [www.tv.toshiba.com](http://www.tv.toshiba.com)

**1 START HERE**  
How do I attach the stands to my TV? (not for wall mounting)  
You'll need : Soft surface and a Phillips screwdriver.  
**A** Carefully place your TV face-down on a cushioned, clean surface.  
**B** Secure each TV stand leg to the back of your TV with two of the provided screws.



49"

55"



### 43" WALL MOUNT

How do I prepare my TV for wall mounting? (not for use with a TV stand)

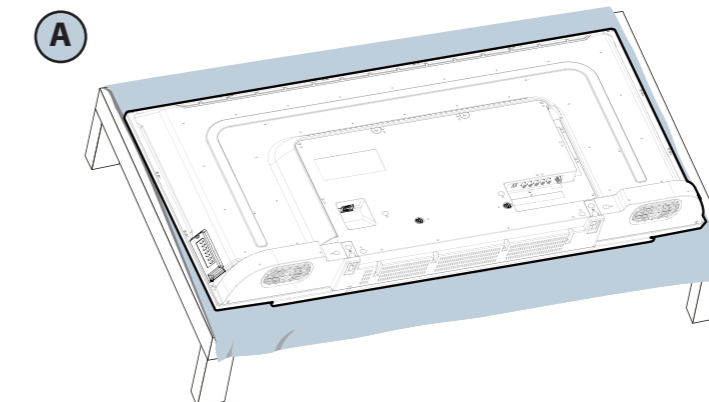
You'll need: Soft surface

Before you mount your TV, make sure that:

- You remove the stand legs.
- The wall-mount bracket is listed by an independent laboratory (such as UL, CSA, or ETL).
- The bracket supports the weight of your TV.

**A** Carefully place your TV face-down on a cushioned, clean surface.

**B** See the instructions that came with your wall mount for more information about how to correctly mount your TV.

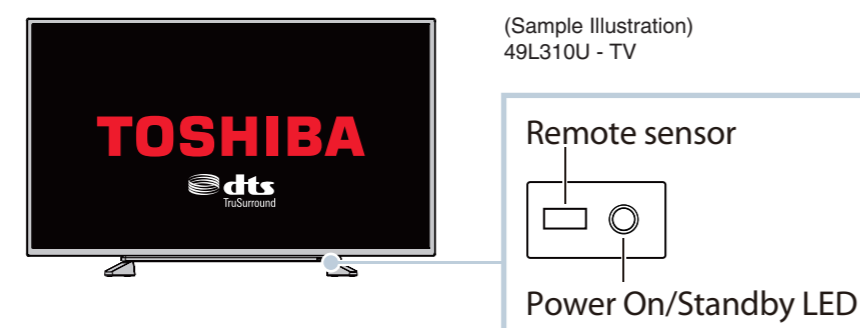


**VESA Mounting Pattern**  
VESA mount (mm): 200 x 300 - M6 type screws

**B** Your TV has four VESA mounting holes on the back. If you attach a wall-mount bracket to the back of your TV, the bracket must be securely attached, using all four holes. If you do not use all four mounting holes, your TV may fall and cause property damage or personal injury. See the documentation that came with your wall mount for complete mounting instructions.

### FEATURES

Front

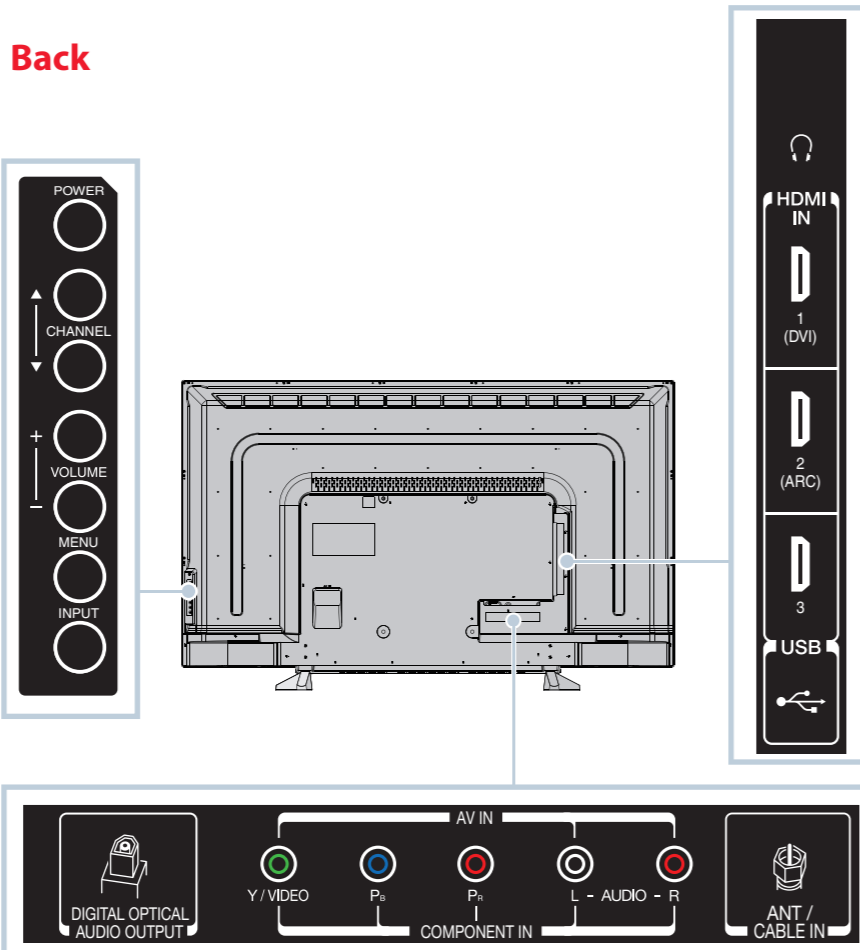


(Sample Illustration) 49L310U - TV

Remote sensor

Power On/Standby LED

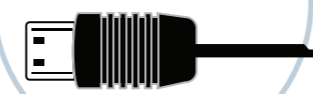
Back



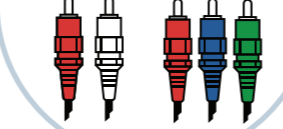
### 2 MAKING CONNECTIONS

How do I watch TV (cable, satellite, or antenna) or connect a device such as a DVD or Blu-ray disc player or game console?

**HDMI (BEST)**  
Best video quality



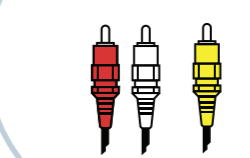
**COMPONENT (BETTER)**



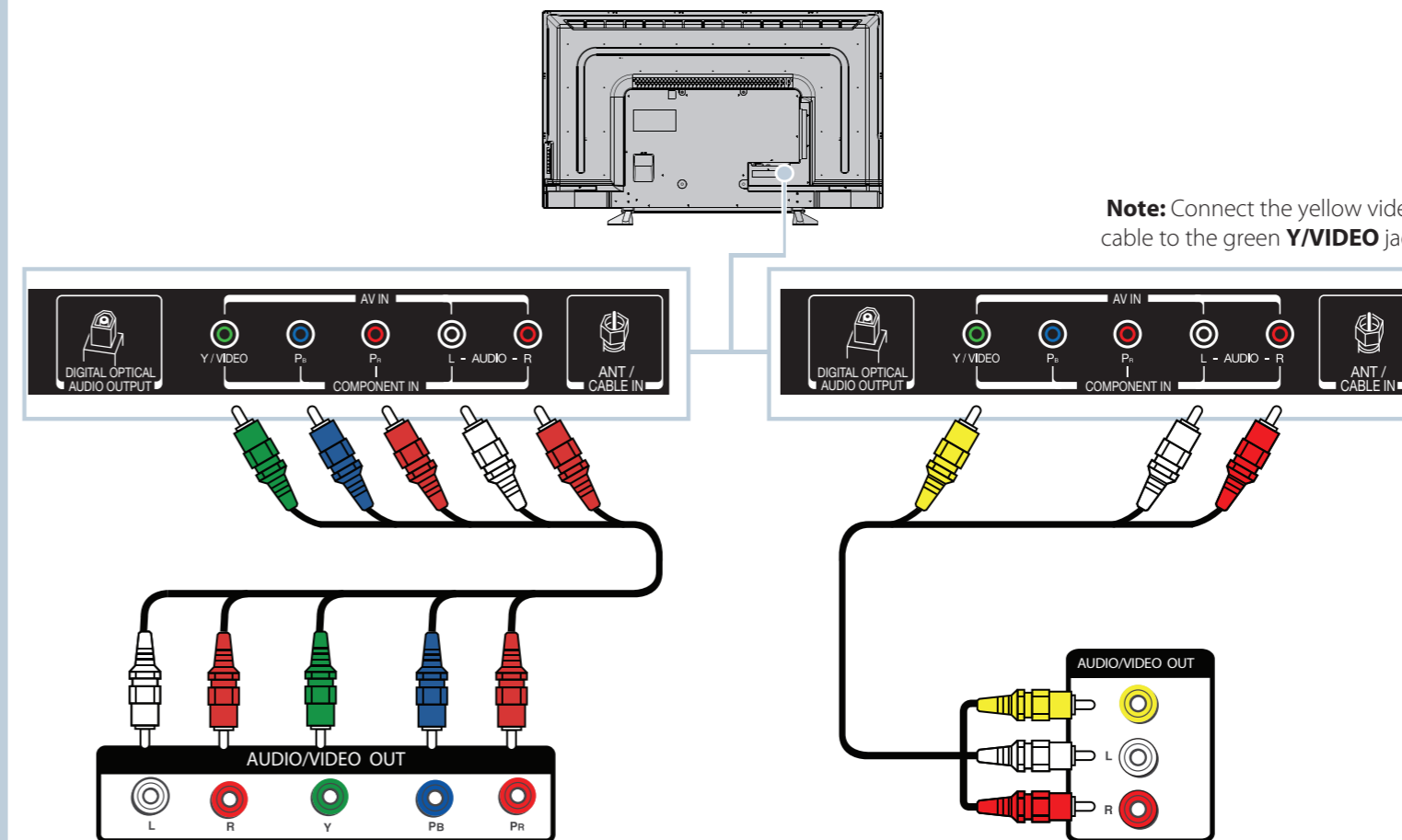
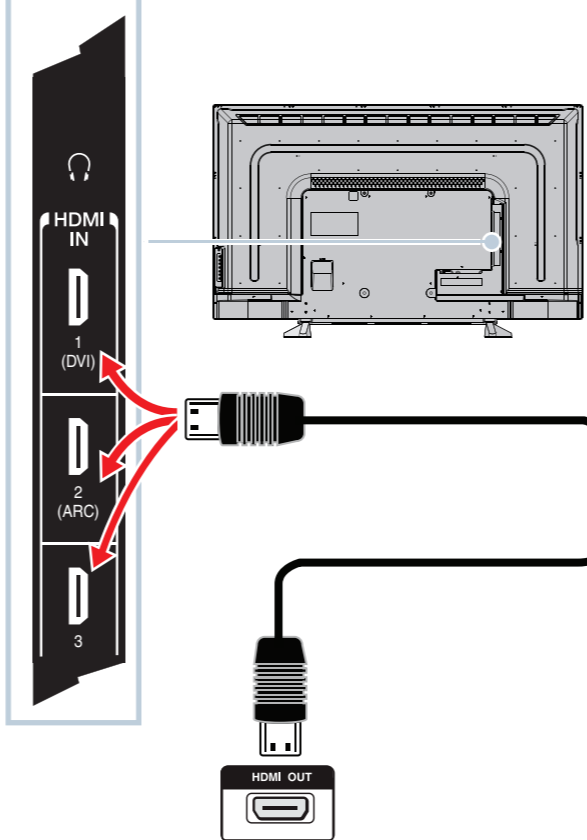
**Note:** The component and AV jacks are shared. This means you can connect only one component or AV device at a time. We suggest upgrading to HDMI (BEST) if your device supports it.

OR

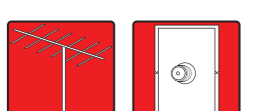
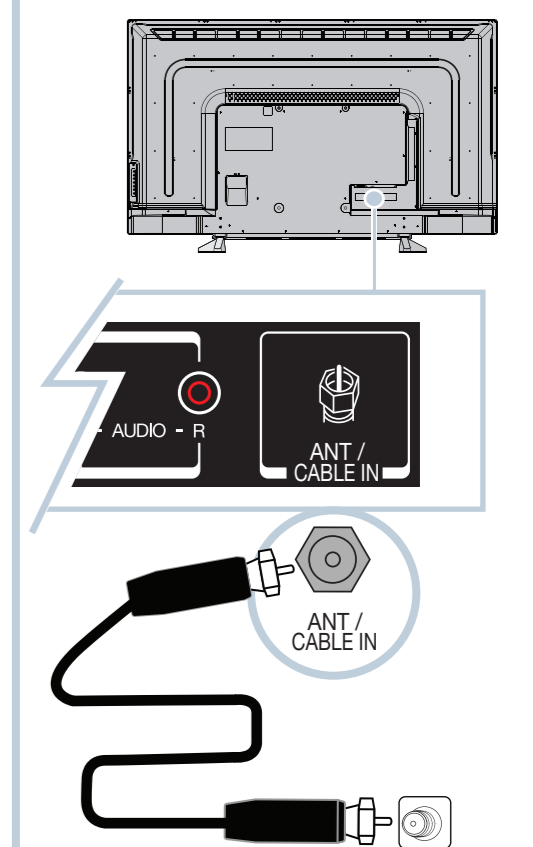
**AV (GOOD)**



**Coaxial (GOOD)**

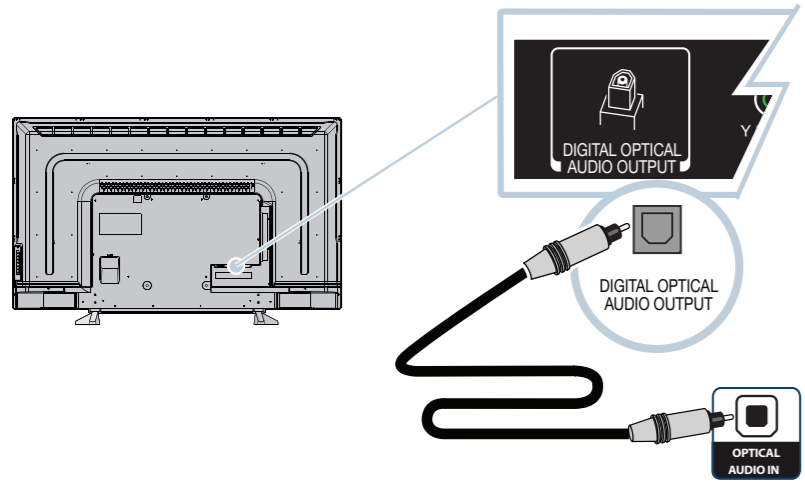


**Note:** Connect the yellow video cable to the green Y/VIDEO jack.



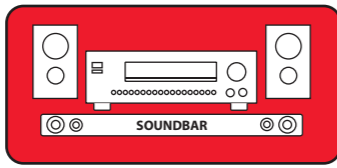
### 3 CONNECTING EXTERNAL SPEAKERS

How do I connect my TV to external speakers?  
Using digital audio

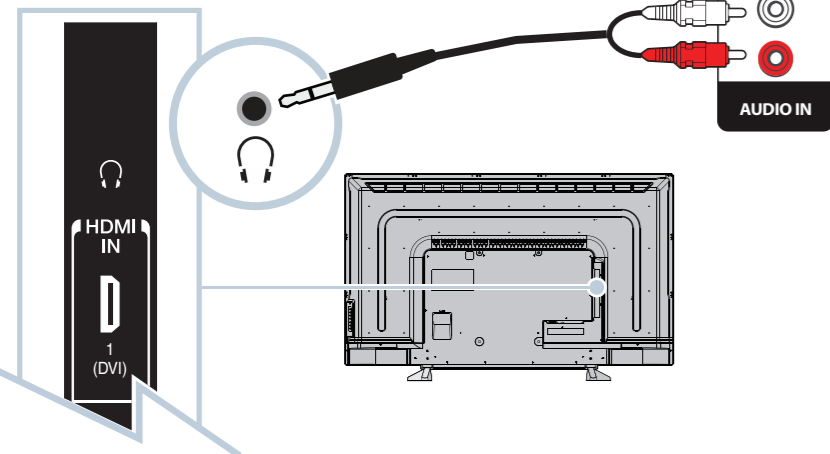


OR

Note: See the instructions that came with your speakers for more information.



### Using analog audio

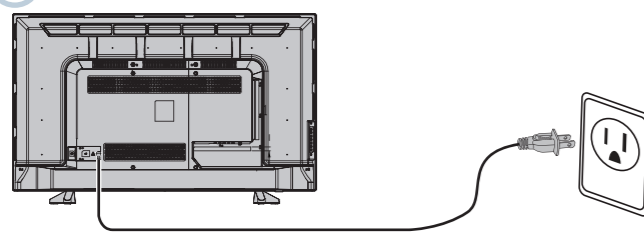


### 4 TURNING ON MY TV

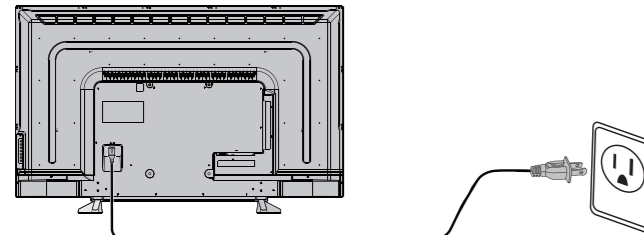
When can I turn on my TV?

WHEN YOUR TV IS IN PLACE:

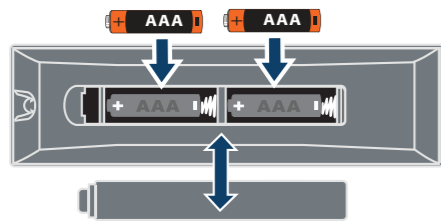
- 1 Plug the power cord into a power outlet.



- 2 Plug the power cord into the AC IN jack on the back of your TV, then plug the other end into a power outlet.

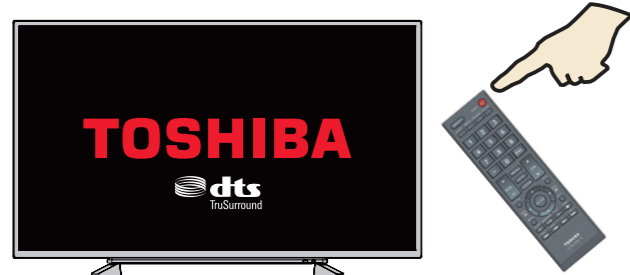


- 3 Remove the remote control cover and install the batteries.



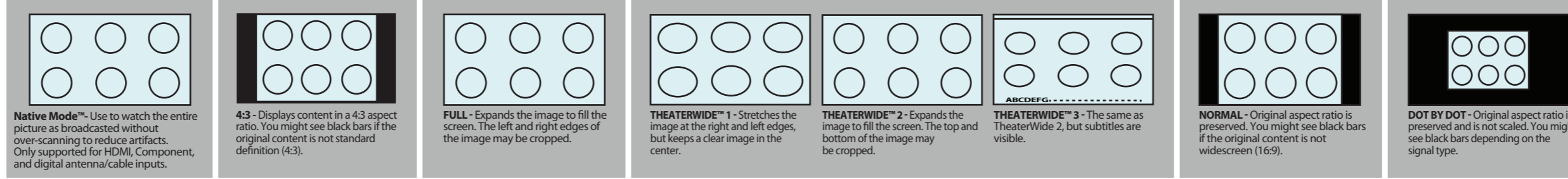
- 4 Press (I/O) (power) on your remote control.

- 5 Follow the on-screen instructions.



### USING YOUR REMOTE CONTROL

#### PICTURE SIZE

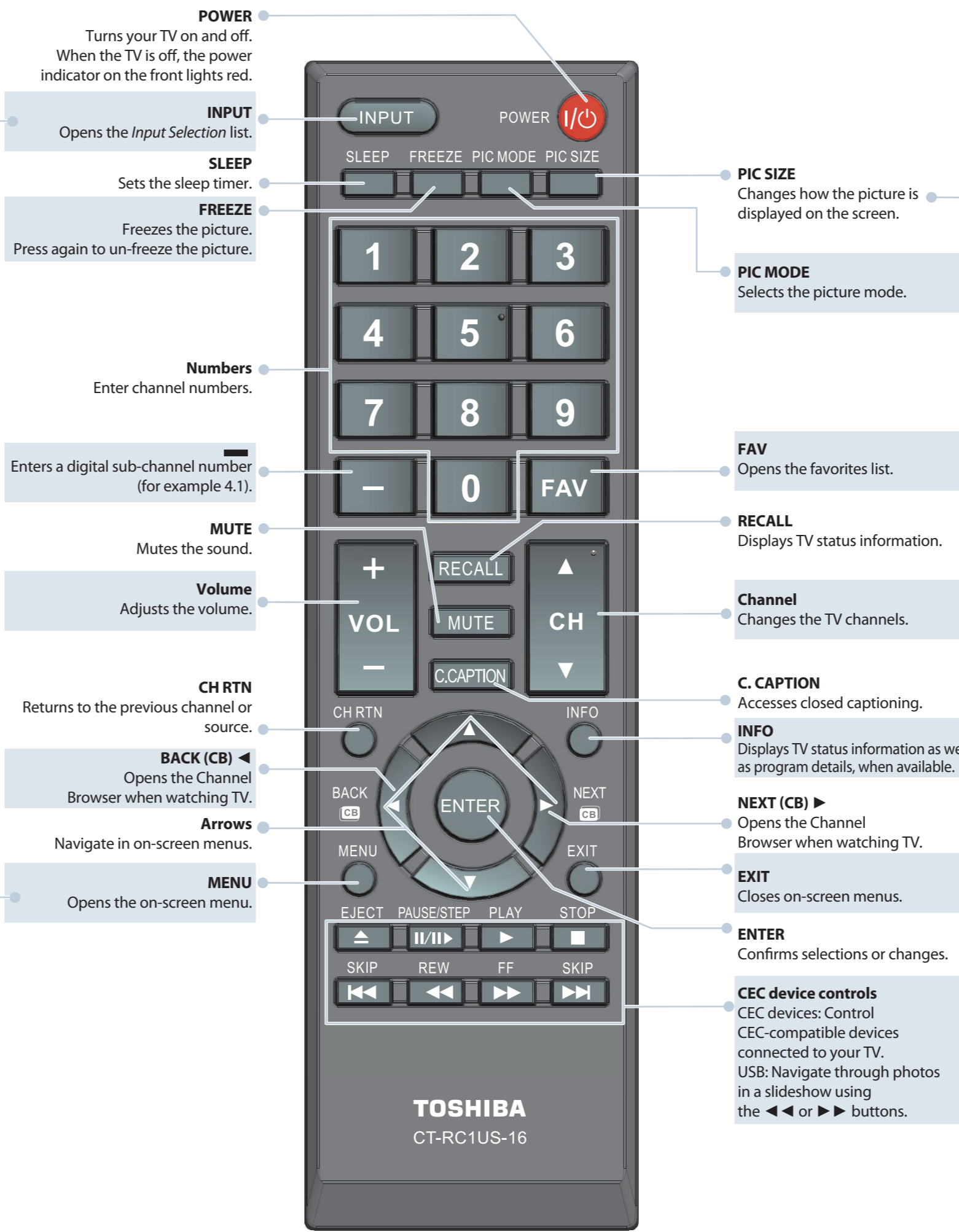


#### INPUT

Input Selection
① ANT / CABLE
① AV
② COMPONENT
③ HDMI 1
④ HDMI 2
⑤ HDMI 3
⑥ USB

#### MENU

Picture	Picture Mode	Standard
Reset		
Backlight		55
Contrast		95
Brightness		0
Color		0
Tint		0
Sharpness		0
Advanced Picture Settings		
Display Settings		



# TOSHIBA

## Leading Innovation >>>

Access the online User Guide  
Go to [www.tv.toshiba.com](http://www.tv.toshiba.com) and follow the online instructions.

Many questions regarding parts, service, and warranties can be answered by visiting the Customer Support Section of our website:  
[www.tv.toshiba.com](http://www.tv.toshiba.com)

Contact Toshiba Customer Support Center  
(855) 527-2411 From the United States and Canada

The terms HDMI and HDMI High-Definition Multimedia Interface, and the HDMI Logo are trademarks or registered trademarks of HDMI Licensing LLC in the United States and other countries. All other brand and product names are trademarks or registered trademarks of their respective companies.

Distributed and warranted by Best Buy Purchasing LLC (7601 Penn Avenue South, Richfield, MN 55423 USA)  
Made in China