

# TOSHIBA

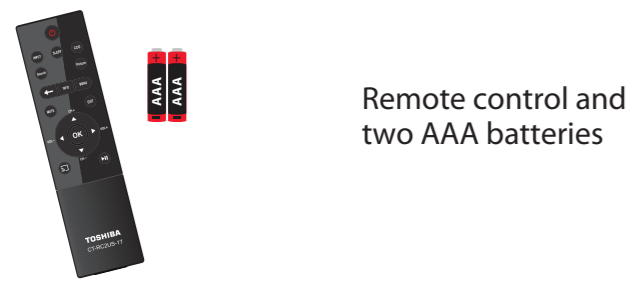
Leading Innovation >>>

## Quick Setup Guide | 43L621U/49L621U/55L621U/65L621U

### 43"/49"/55"/65" 2160p (4K), 60Hz, LED CHROMECAST BUILT-IN TV

#### INCLUDED ACCESSORIES

43" 49" 55" 65"



Remote control and two AAA batteries

43" Stand legs



M5 screws (27 mm length) (4 pcs.)

49" 55" Stand legs



Necks



M4 screws (12 mm length) (8 pcs.)



M5 screws (10 mm length) (4 pcs.)

65" Stand legs



M5 screws (20 mm length) (4 pcs.)

49" 55" Note: The power cord for the 43" and 65" models are permanently attached.

#### What you need (not included)

- Phillips screwdriver
- Mobile device such as a tablet or phone running an Android™ or Apple® operating system.
- Internet connection (wired or wireless)

\*Subscription or other payment may be required to access certain content.

#### FIND YOUR USER GUIDE ONLINE!

Go to [www.tv.toshiba.com](http://www.tv.toshiba.com) and follow the online instructions.  
WARNING: To reduce the risk of fire or electric shock, do not expose this apparatus to rain or moisture.



The lightning flash with arrowhead symbol within an equilateral triangle is intended to alert the user to the presence of uninsulated "hazardous voltage" within the product's enclosure, which may be of sufficient magnitude to induce a risk of electric shock to persons.

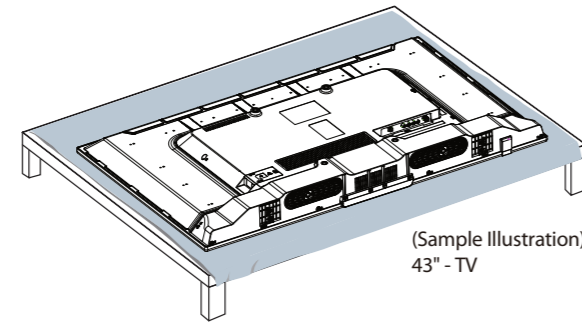
The exclamation mark inside an equilateral triangle is intended to alert the user to the presence of important operating and maintenance (servicing) instructions in the literature accompanying the product.

**IMPORTANT:** See the online *User Guide* before installing the TV on a wall. URL: [www.tv.toshiba.com](http://www.tv.toshiba.com)

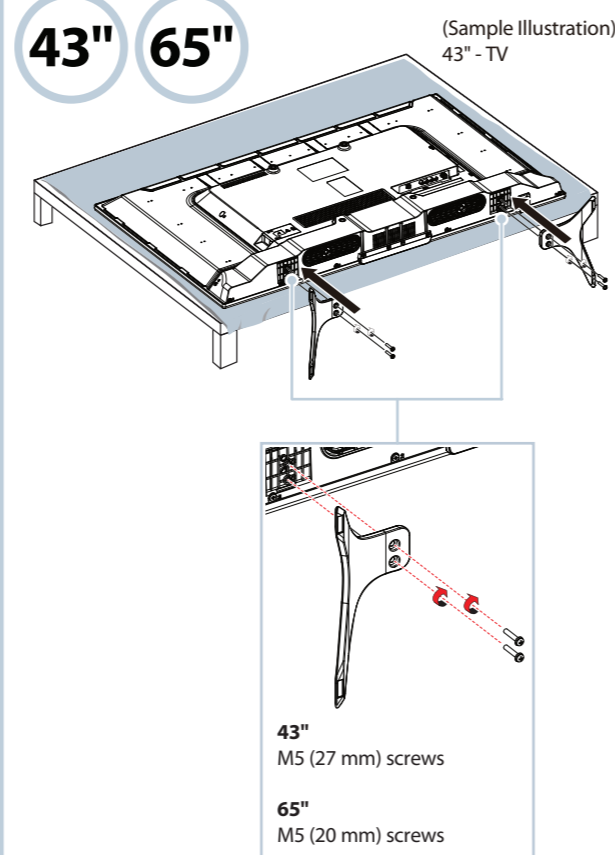
#### 1 START HERE

How do I attach the stands to my TV? (not for wall mounting)  
You'll need: Soft surface and a Phillips screwdriver.  
A Carefully place your TV face-down on a cushioned, clean surface.

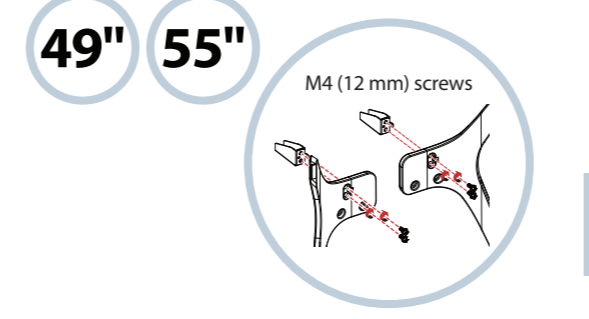
43" 49" 55" 65"



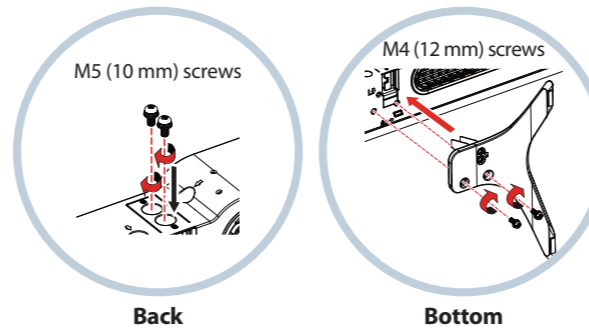
B Secure each TV stand leg to the back of your TV with two of the provided screws.



B Attach a stand neck to each of the stand legs with two of the provided 12 mm screws (the long screws).



C Slide the stand necks into the slots on the bottom of your TV. Secure the necks to the **back** of your TV using two of the provided 10 mm screws (the short screws) and to the **bottom** of your TV using two of the 12 mm screws.



#### 43" WALL MOUNT

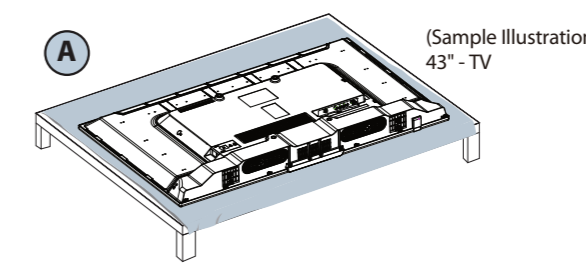
How do I prepare my TV for wall mounting? (not for use with a TV stand)

You'll need: Soft surface and a Phillips screwdriver  
Before you mount your TV, make sure that:

- You remove the stand legs.
- The wall-mount bracket is listed by an independent laboratory (such as UL, CSA, or ETL).
- The bracket supports the weight of your TV.

A Carefully place your TV face-down on a cushioned, clean surface.

B See the instructions that came with your wall mount for more information about how to correctly mount your TV.



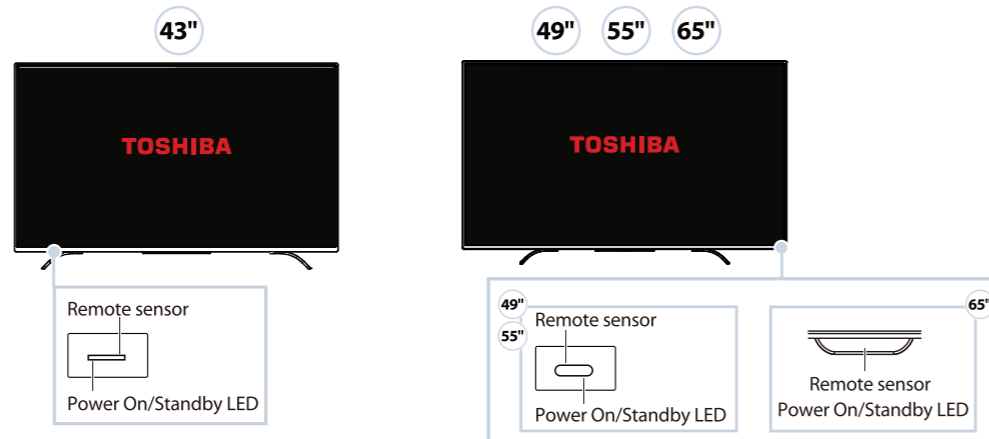
43" 49" 55" VESA Mounting Pattern  
VESA mount (mm): 200 x 300 - M6 screws

65" VESA Mounting Pattern  
VESA mount (mm): 400 x 500 - M6 screws

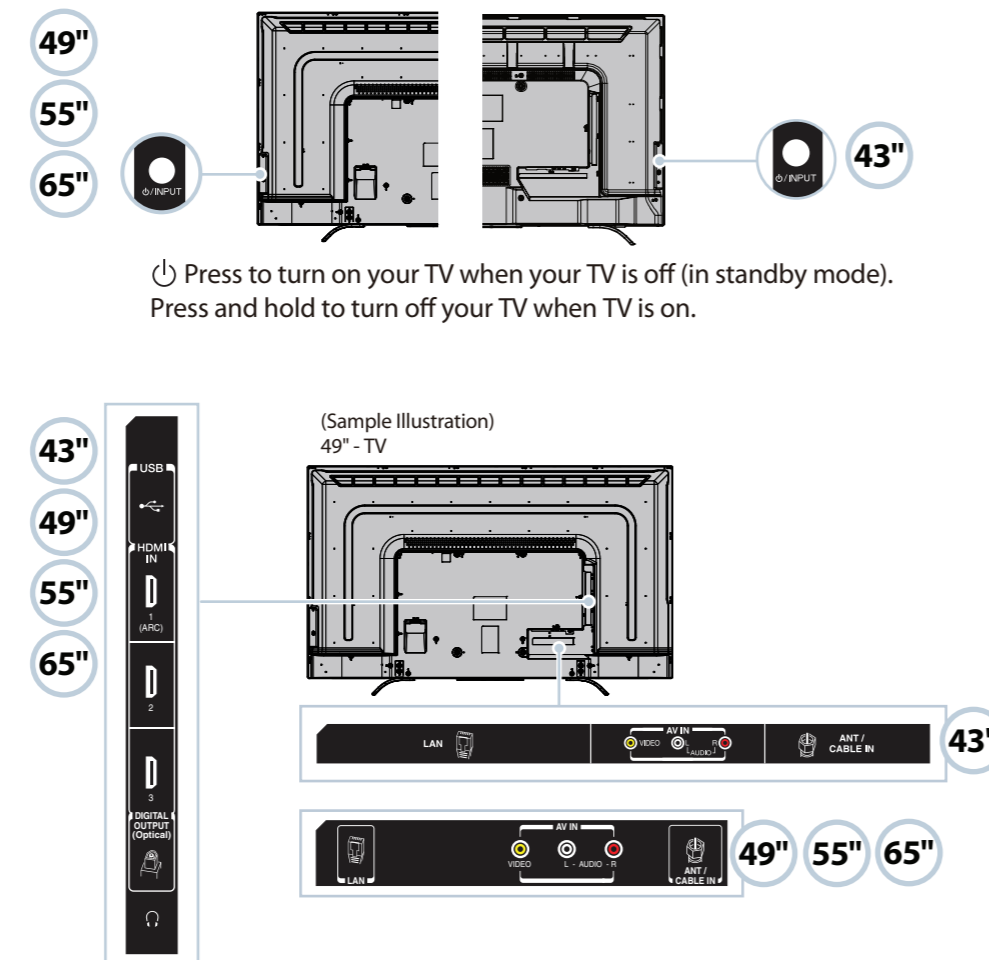
B Your TV has four VESA mounting holes on the back. If you attach a wall-mount bracket to the back of your TV, the bracket must be securely attached, using all four holes. If you do not use all four mounting holes, your TV may fall and cause property damage or personal injury. See the documentation that came with your wall mount for complete mounting instructions.

#### FEATURES

Front



Back



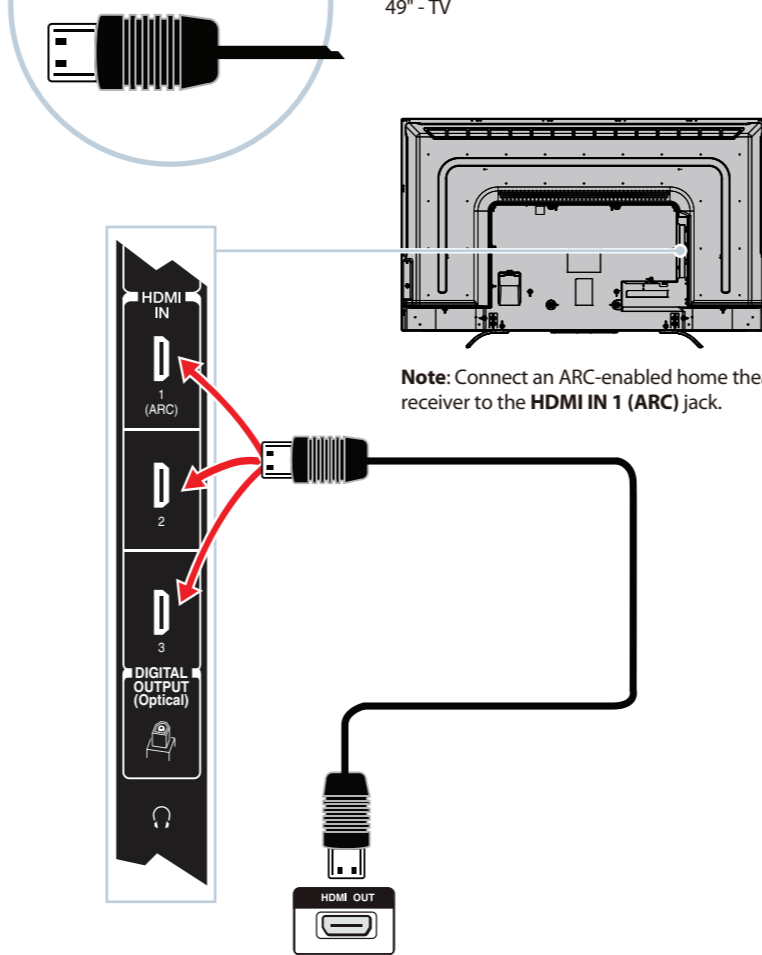
Before using your new product, please read these instructions to prevent any damage.

#### 2 MAKING CONNECTIONS

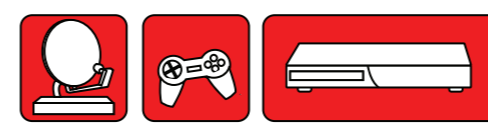
How do I watch TV (cable, satellite, or antenna) or connect a device such as a DVD or Blu-ray disc player or game console?

##### HDMI® (BEST)

Best video quality

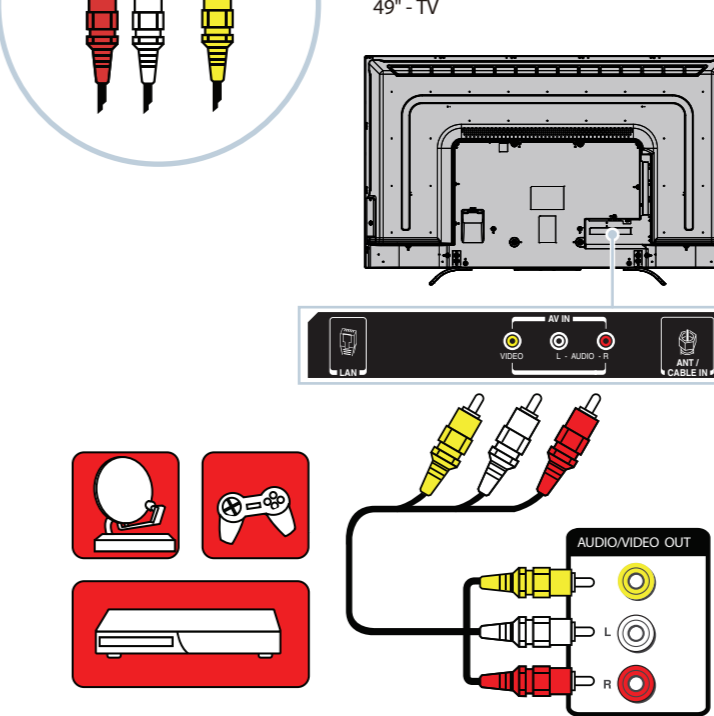


Note: Connect an ARC-enabled home theater receiver to the HDMI IN 1 (ARC) jack.

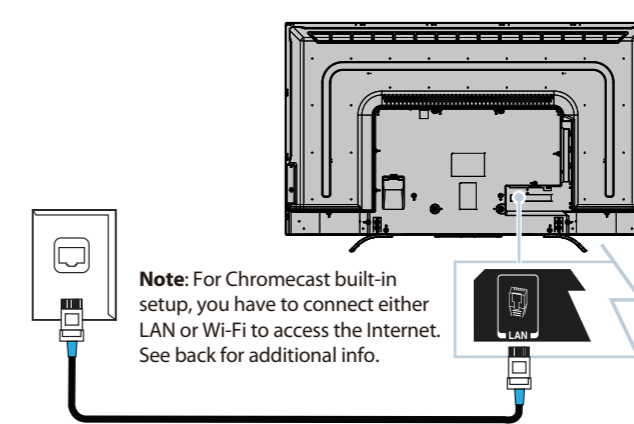


##### AV (GOOD)

Best video quality



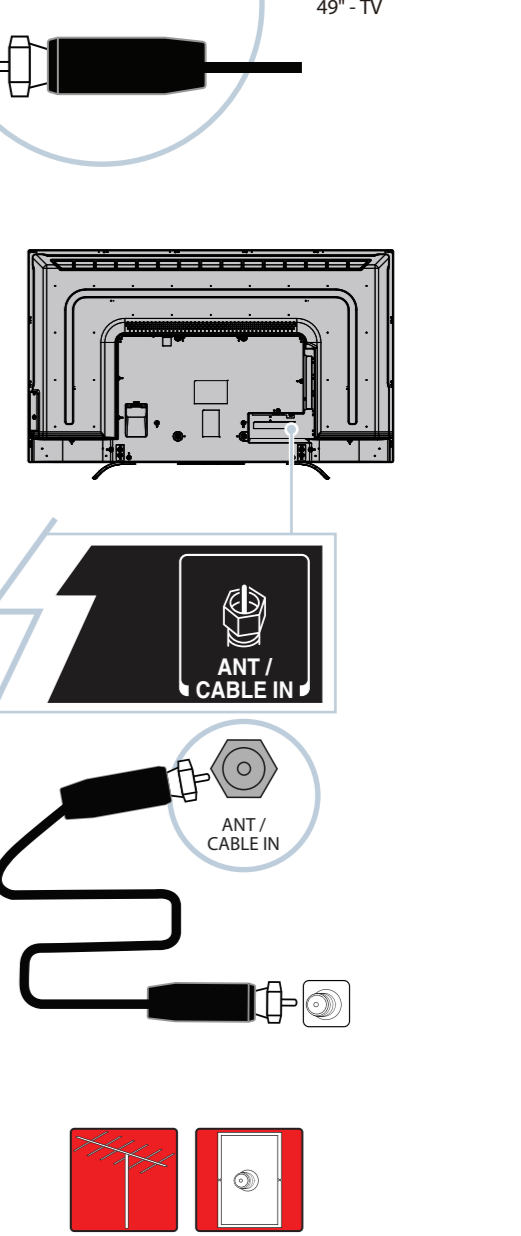
##### CONNECTING ETHERNET (OPTIONAL)



Note: For Chromecast built-in setup, you have to connect either LAN or Wi-Fi to access the Internet. See back for additional info.

##### Coaxial (GOOD)

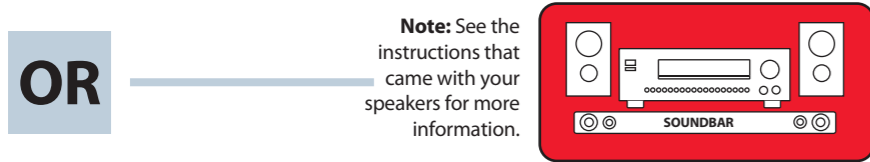
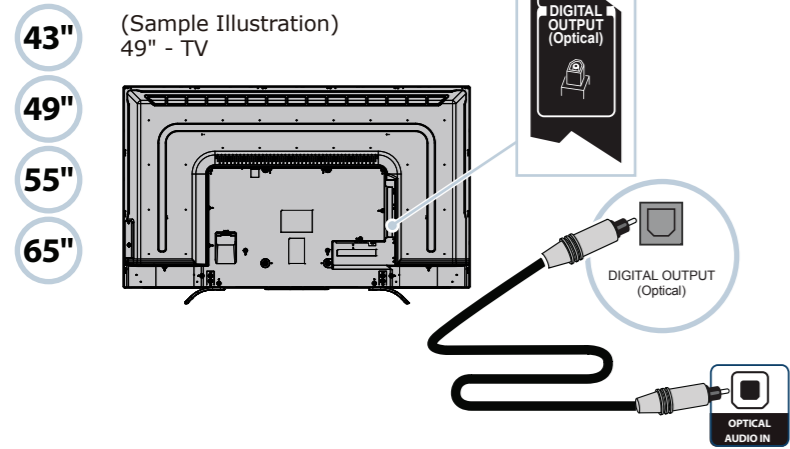
Best video quality



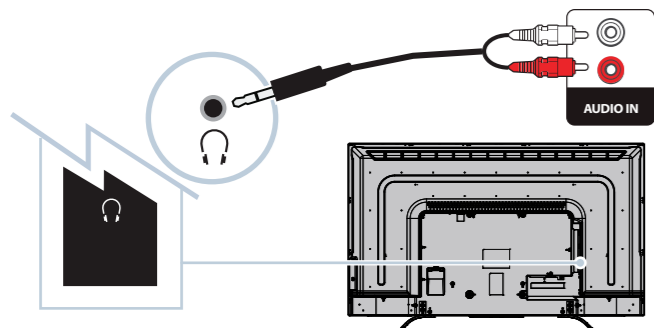
### 3 CONNECTING EXTERNAL SPEAKERS

How do I connect my TV to external speakers?

#### Using digital audio



#### Using analog audio

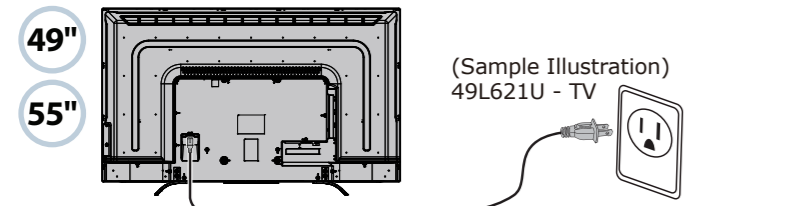
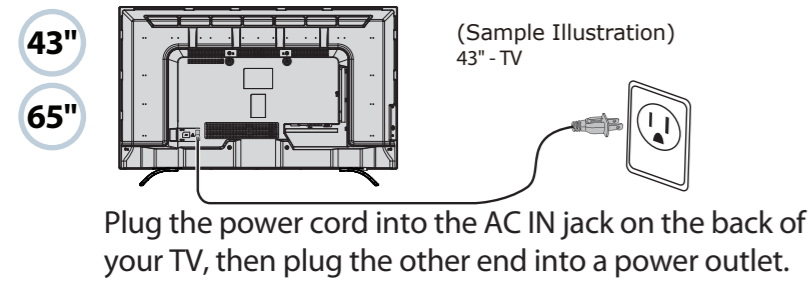


### 4 TURNING ON MY TV

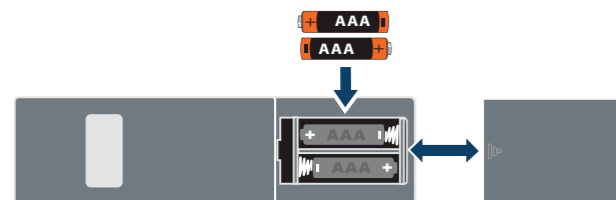
When can I turn on my TV?

#### WHEN YOUR TV IS IN PLACE:

1 Plug the power cord into a power outlet.



2 Remove the remote control cover and install the batteries.



3 Press (power) on your remote control.

4 Follow the on-screen instructions to set up Chromecast built-in.

- Connect your iOS or Android device to your home WiFi network
- Visit [www.google.com/cast/setup](http://www.google.com/cast/setup)
- Download the Google Home app from the Google Play Store or App Store
- Open the Google Home app and follow the instructions.

**OR**

- Press **EXIT** to skip the Chromecast built-in setup and go to standard TV viewing.

**Note:** If you select **EXIT**, you can set up Chromecast built-in later by pressing the **Chromecast built-in** button on the remote control.



### USING YOUR REMOTE CONTROL

#### INPUT

Input Selection	
0	ANT / CABLE
1	Chromecast built-in
2	AV
3	HDMI 1
4	HDMI 2
5	HDMI 3
6	USB

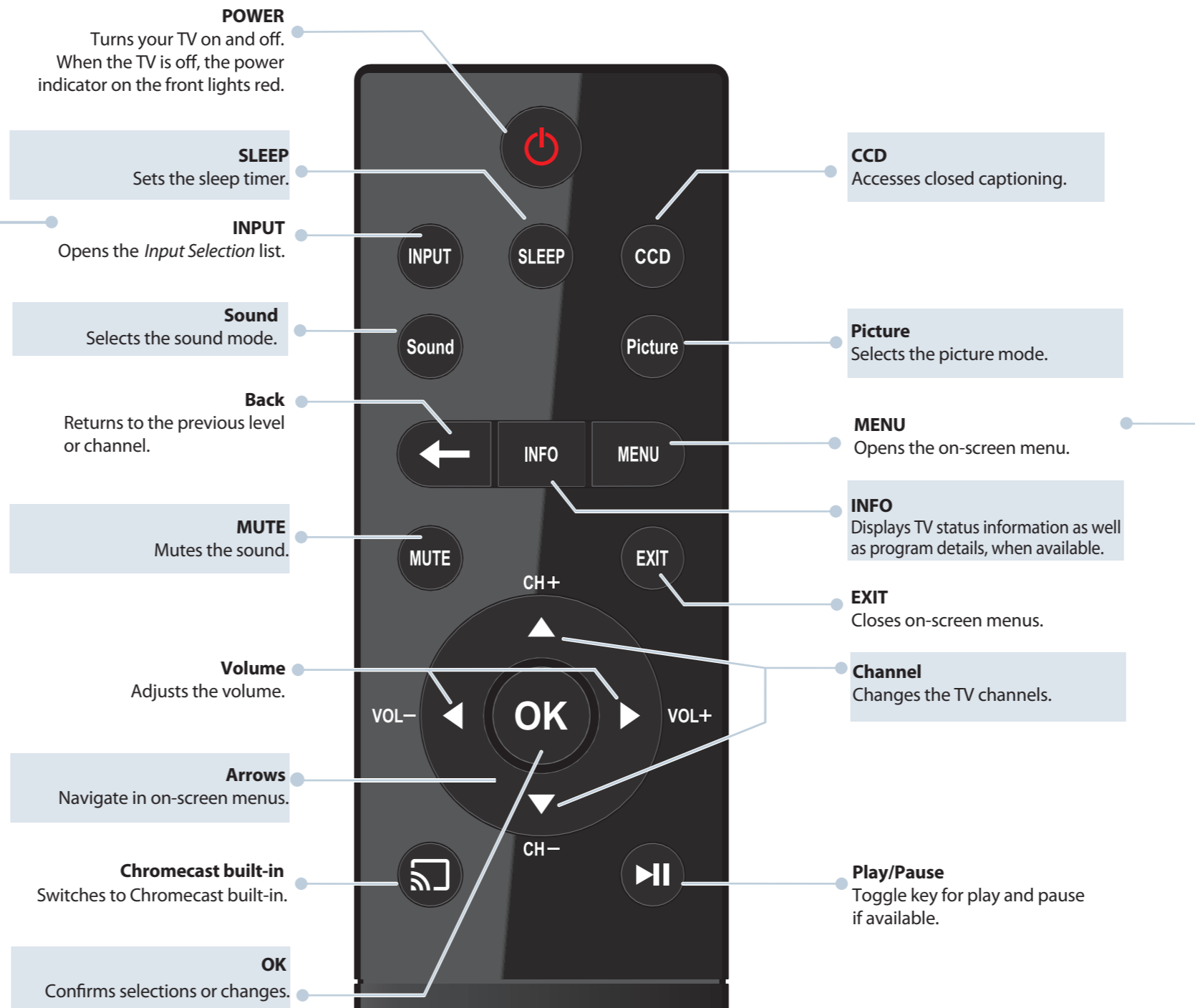
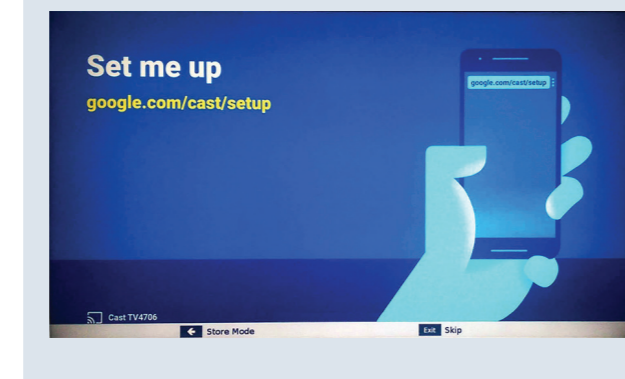
**Note:** If you did not scan for channels during setup, or have never performed a channel scan on your TV, Chromecast built-in appears at the top of the *Input Selection* list.

Input Selection	
0	Chromecast built-in
1	ANT/CABLE
2	AV
3	HDMI 1
4	HDMI 2
5	HDMI 3
6	USB

#### SETTING UP CHROMECAST BUILT-IN

If you did not set up Chromecast built-in during setup, press the **Chromecast built-in** button on the remote control. The *Set me up* page appears.

- Connect your iOS or Android device to your home WiFi network
- Visit [www.google.com/cast/setup](http://www.google.com/cast/setup)
- Download the Google Home app from the Google Play Store or App Store
- Open the Google Home app and follow the instructions.



#### MENU



# TOSHIBA

## Leading Innovation >>>

Access the online *User Guide*  
Go to [www.tv.toshiba.com](http://www.tv.toshiba.com) and follow the online instructions.

Many questions regarding parts, service, and warranties can be answered by visiting the Customer Support Section of our website:  
[www.tv.toshiba.com](http://www.tv.toshiba.com)

Contact Toshiba Customer Support Center  
(855) 527-2411 from the United States and Canada

#### HDMI®

The terms HDMI and HDMI High-Definition Multimedia Interface and the HDMI Logo are trademarks or registered trademarks of HDMI Licensing LLC in the United States and other countries. All other brand and product names are trademarks or registered trademarks of their respective companies.

Chromecast is a trademark of Google Inc.

© Copyright 2016  
Distributed and warranted by Best Buy Purchasing LLC  
(7601 Penn Avenue South, Richfield, MN 55423 USA)  
**Made in China**