



Quick Setup Guide | 50L711U18/55L711U18/50L711M18/55L711M18

50"/55" 2160p (4K), 60Hz, LED CHROMECAST BUILT-IN TV

INCLUDED ACCESSORIES

- 50" 55"** Remote control and two AAA batteries
- 50"** Stand legs
- 50"** M5 screws (17 mm length) (4 pcs.)
- 55"** Stand legs
- 55"** Necks
- 55"** M4 screws (12 mm length) (8 pcs.)
- 55"** M5 screws (10 mm length) (4 pcs.)
- 50" 55"** Power cord

What you need (not included)

- Phillips screwdriver
 - Mobile device such as a tablet or phone running an Android® or Apple® operating system.
 - Internet connection (wired or wireless)
- *Subscription or other payment may be required to access certain content.

FIND YOUR USER GUIDE ONLINE!

Go to www.tv.toshiba.com and follow the online instructions.
WARNING: To reduce the risk of fire or electric shock, do not expose this apparatus to rain or moisture.



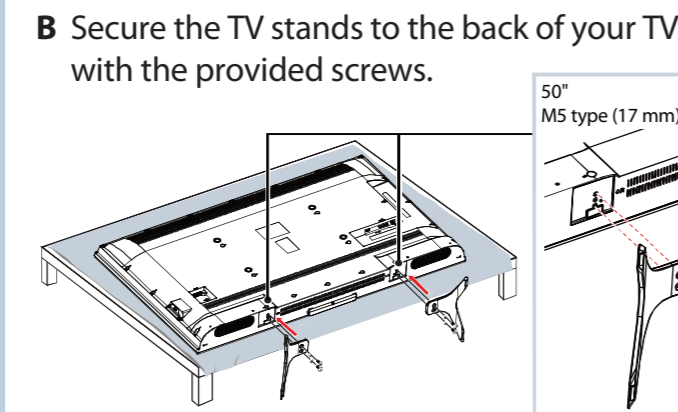
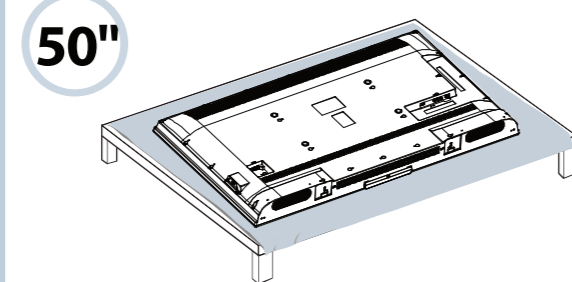
The lightning flash with arrowhead symbol within an equilateral triangle is intended to alert the user to the presence of important operating and maintenance (servicing) instructions in the literature accompanying the product.

The exclamation mark inside an equilateral triangle is intended to alert the user to the presence of important operating and maintenance (servicing) instructions in the literature accompanying the product.

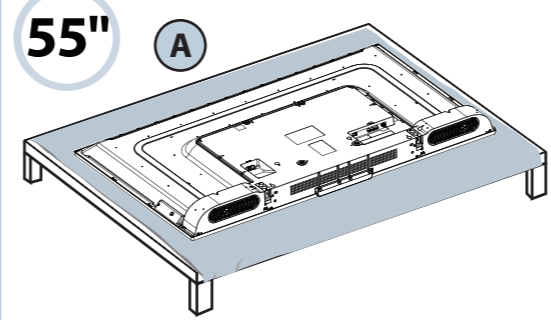
IMPORTANT: See the online *User Guide* before installing the TV on a wall. URL: www.tv.toshiba.com

1 START HERE

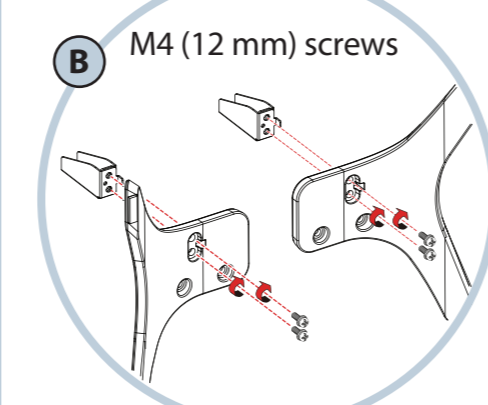
How do I attach the stands to my TV? (not for wall mounting)
 You'll need: Soft surface and a Phillips screwdriver.
A Carefully place your TV face-down on a cushioned, clean surface.



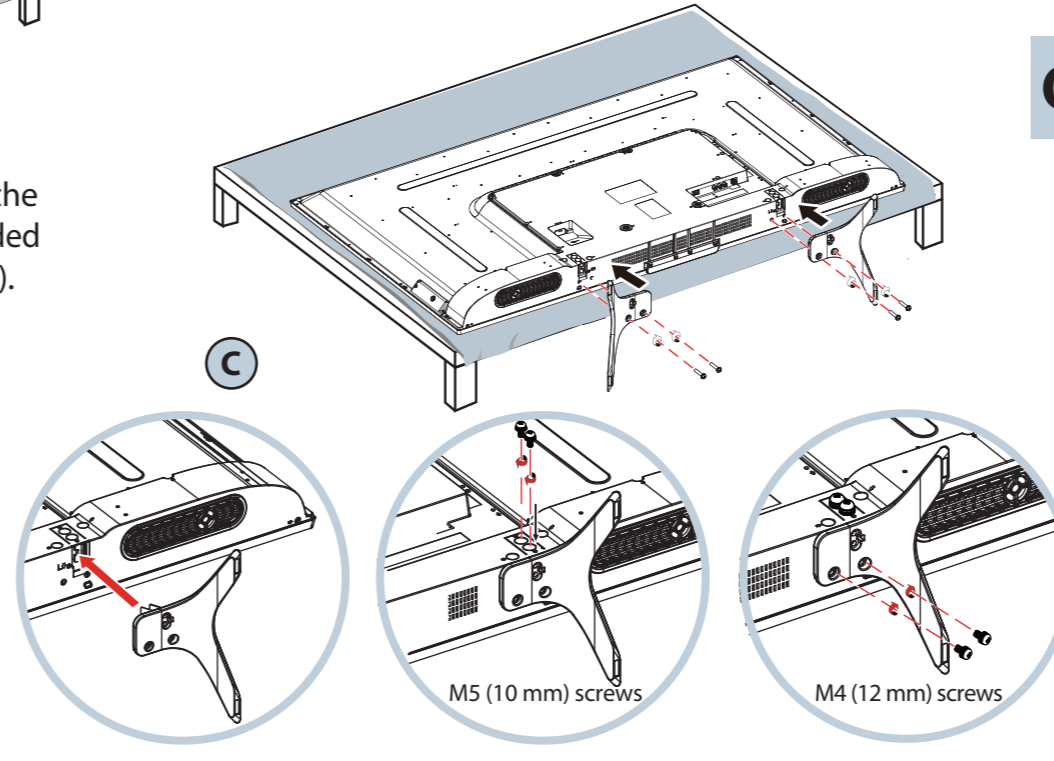
A Carefully place your TV face-down on a cushioned, clean surface.



B Attach a stand neck to each of the stand legs with two of the provided 12 mm screws (the long screws).



C Slide the stand necks into the slots on the bottom of your TV. Secure the necks to the **back** of your TV using two of the provided 10 mm screws (the short screws) and to the **bottom** of your TV using two of the 12 mm screws.



50" WALL MOUNT

How do I prepare my TV for wall mounting? (not for use with a TV stand)

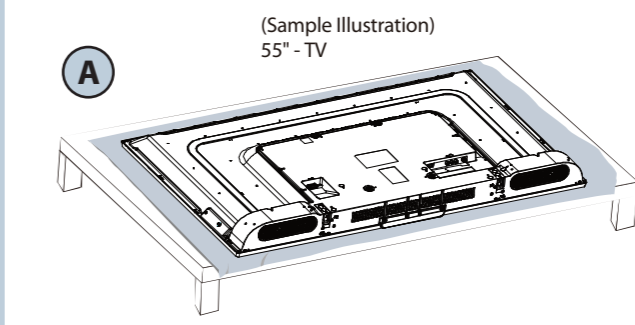
You'll need: Soft surface and a Phillips screwdriver

Before you mount your TV, make sure that:

- You remove the stands or stand legs
- The wall-mount bracket is listed by an independent laboratory (such as UL, CSA, or ETL).
- The bracket supports the weight of your TV.

A Carefully place your TV face-down on a cushioned, clean surface.

B See the instructions that came with your wall mount for more information about how to correctly mount your TV.

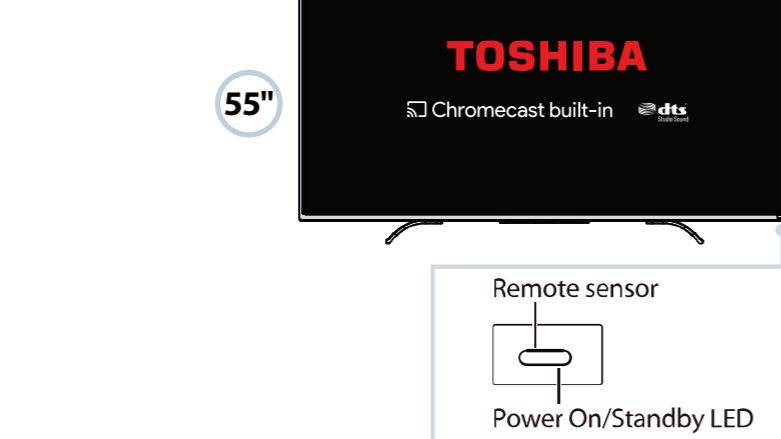


50" VESA Mounting Pattern
 VESA mount (mm): 400 x 200 - M6 screws

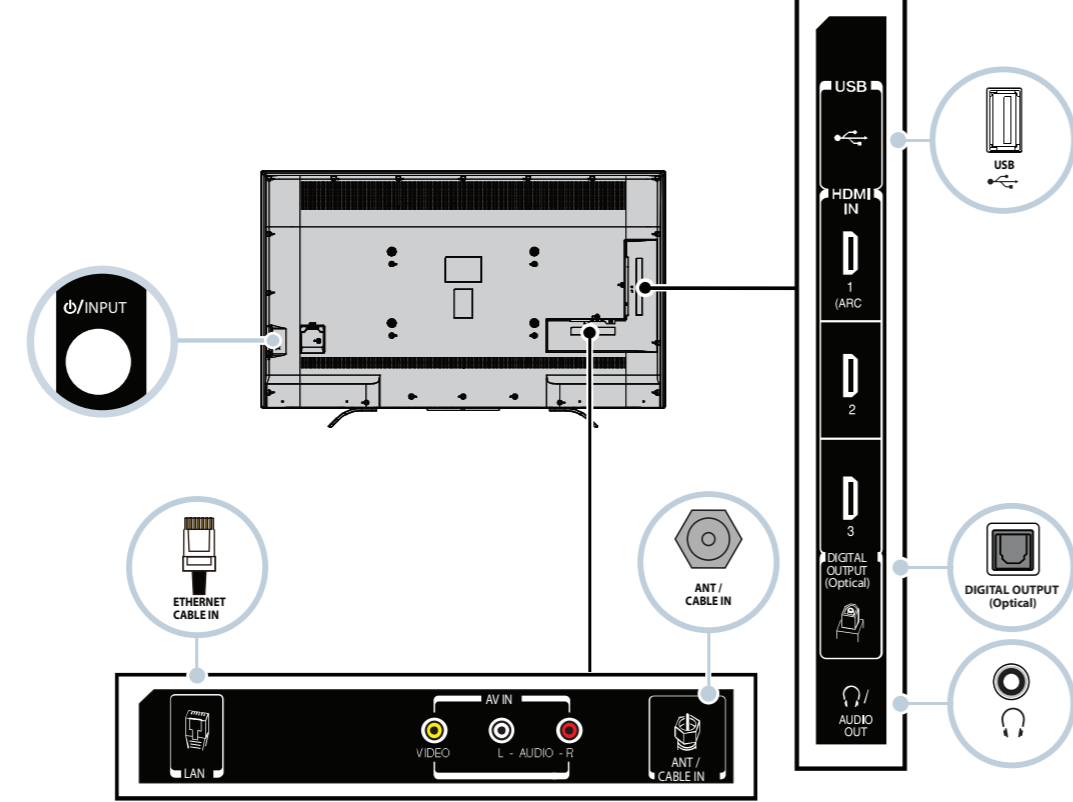
55" VESA Mounting Pattern
 VESA mount (mm): 200 x 300 - M6 screws

B Your TV has four VESA mounting holes on the back. If you attach a wall-mount bracket to the back of your TV, **the bracket must be securely attached, using all four holes.** If you do not use all four mounting holes, your TV may fall and cause property damage or personal injury. See the documentation that came with your wall mount for complete mounting instructions.

FEATURES



Back



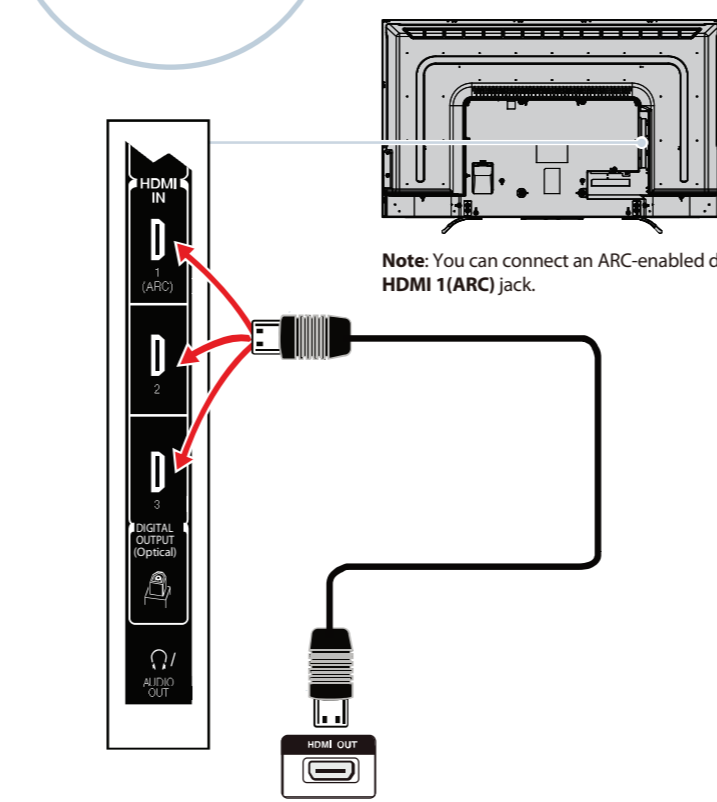
Before using your new product, please read these instructions to prevent any damage.

2 MAKING CONNECTIONS

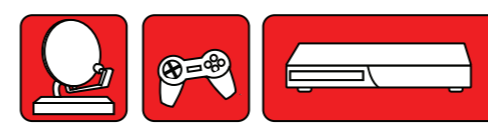
How do I watch TV (cable, satellite, or antenna) or connect a device such as a DVD or Blu-ray disc player or game console?

HDMI® (BEST)

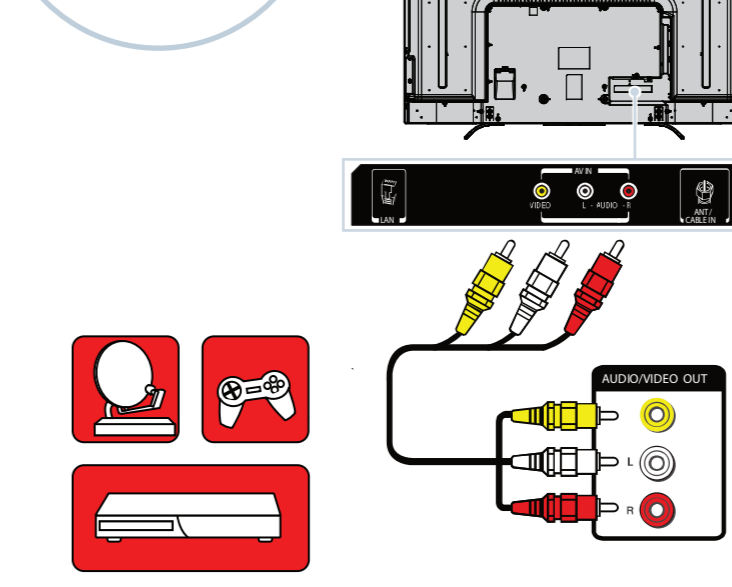
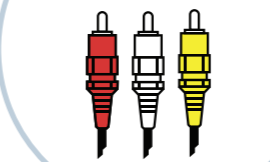
Best video quality



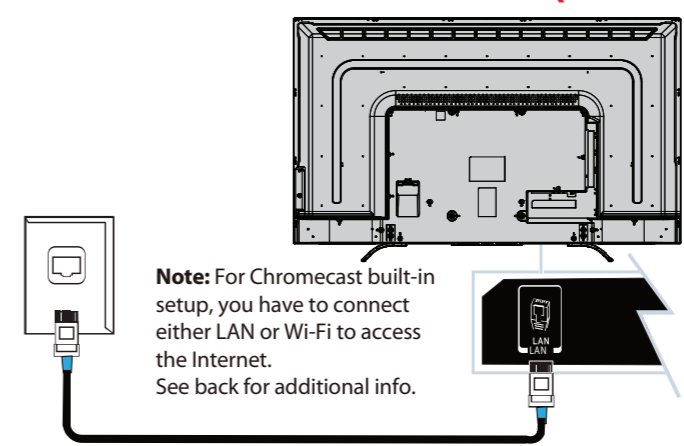
Note: You can connect an ARC-enabled device to the HDMI 1 (ARC) jack.



AV (GOOD)



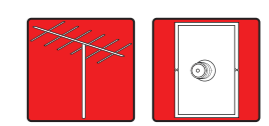
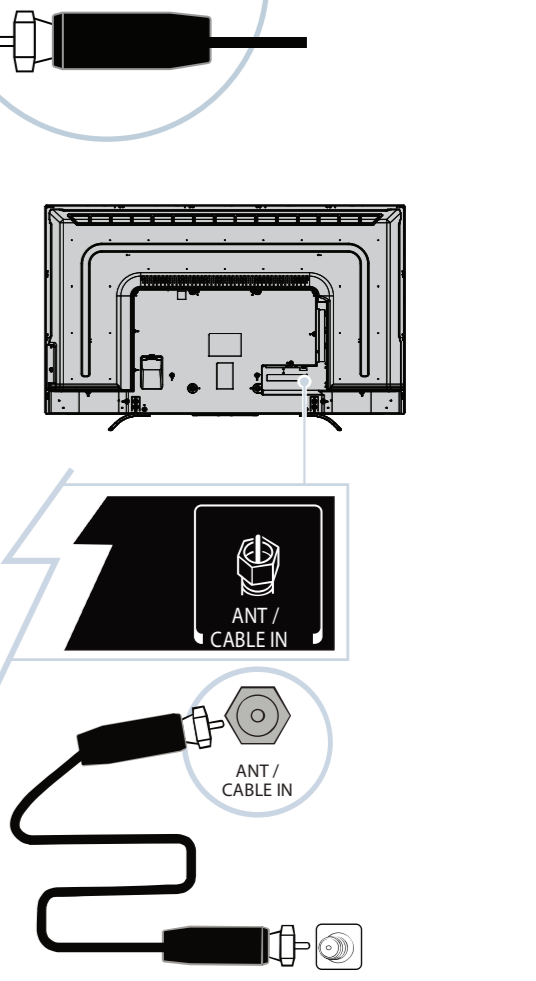
CONNECTING ETHERNET (OPTIONAL)



Note: For Chromecast built-in setup, you have to connect either LAN or Wi-Fi to access the Internet. See back for additional info.

Coaxial (GOOD)

(Sample Illustration) 55" - TV

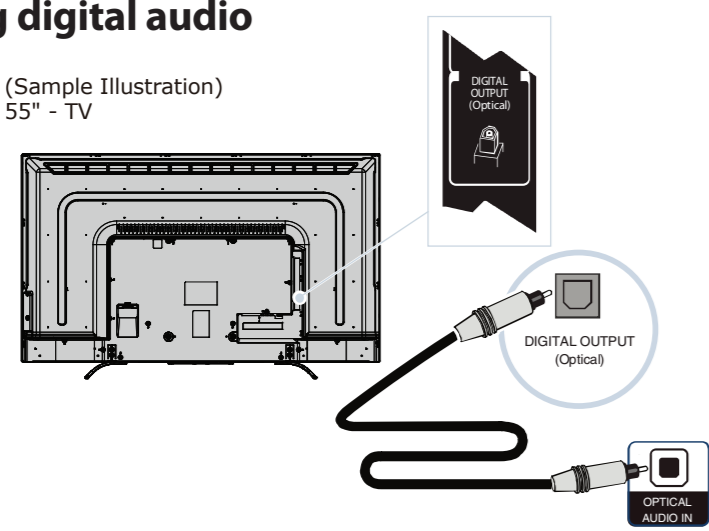


3 CONNECTING EXTERNAL SPEAKERS

How do I connect my TV to external speakers?

Using digital audio

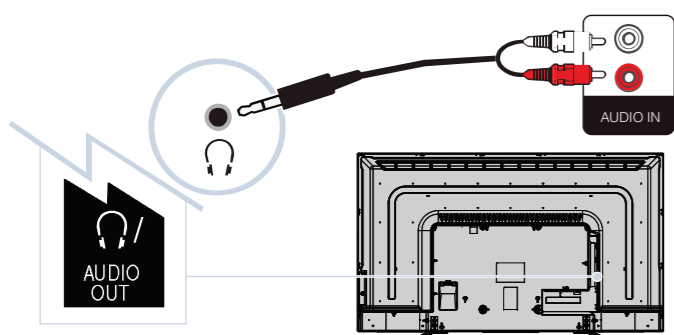
(Sample Illustration)
55" - TV



Note: See the instructions that came with your speakers for more information.

OR

Using analog audio

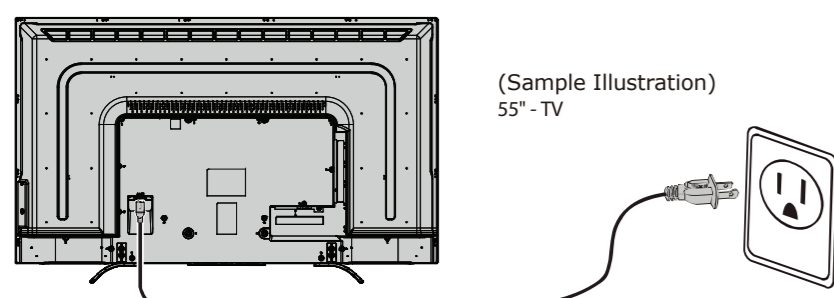


4 TURNING ON MY TV

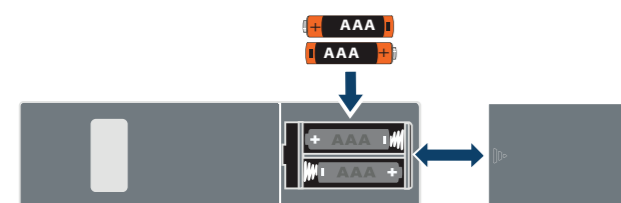
When can I turn on my TV?

WHEN YOUR TV IS IN PLACE:

- 1 Plug the power cord into the AC IN jack on the back of your TV, then plug the other end into a power outlet.



- 2 Remove the remote control cover and install the batteries.



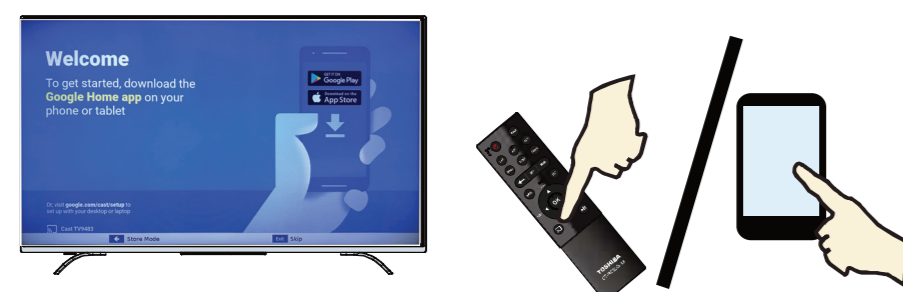
- 3 Press **POWER** on your remote control.

- 4 Follow the on-screen instructions to set up Chromecast built-in.
 - Connect your iOS or Android device to your home WiFi network
 - Visit www.google.com/cast/setup
 - Download the Google Home app from the Google Play Store or App Store
 - Open the Google Home app and follow the instructions.

OR

 - Press **EXIT** to skip the Chromecast built-in setup and go to standard TV viewing.

Note: If you select **EXIT**, you can set up Chromecast built-in later by pressing the **Chromecast built-in** button on the remote control.



USING YOUR REMOTE CONTROL

INPUT

Input Selection	
0	ANT / CABLE
1	Chromecast built-in
2	AV
3	HDMI 1
4	HDMI 2
5	HDMI 3
6	USB

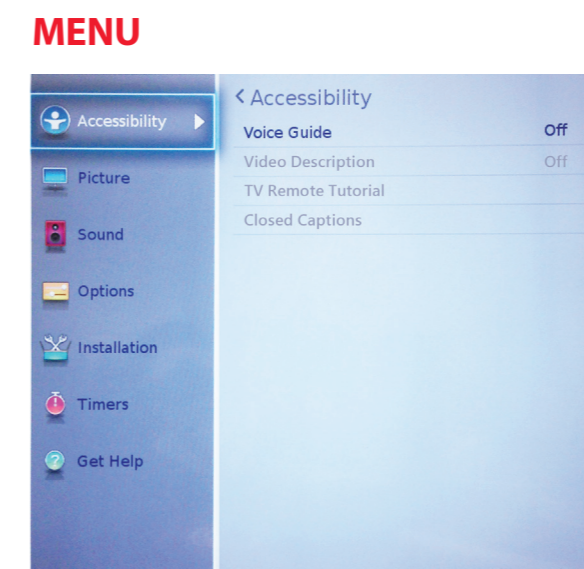
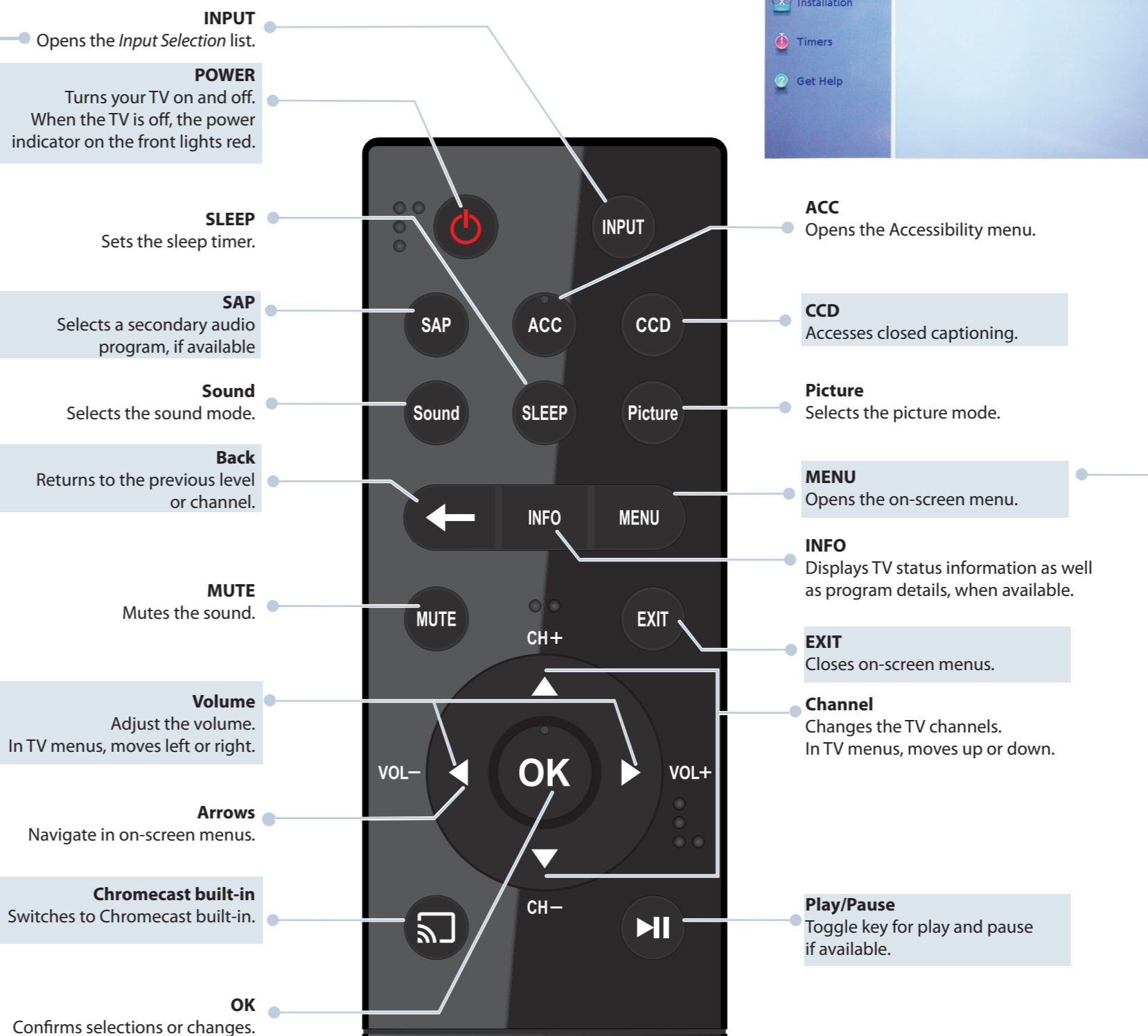
Note: If you did not scan for channels during setup, or have never performed a channel scan on your TV, Chromecast built-in appears at the top of the *Input Selection* list.

Input Selection	
0	Chromecast built-in
1	ANT/CABLE
2	AV
3	HDMI 1
4	HDMI 2
5	HDMI 3
6	USB

SETTING UP CHROMECAST BUILT-IN

If you did not set up Chromecast built-in during setup, press the **CHROMECAST BUILT-IN** button on the remote control. The *Set me up* page appears.

- Connect your iOS or Android device to your home Wi-Fi or Ethernet network
- Visit www.google.com/cast/setup
- Download the Google Home app from the Google Play Store or App Store
- Open the Google Home app and follow the instructions.



TOSHIBA

Access the online *User Guide*
Go to www.tv.toshiba.com and follow the online instructions.

Many questions regarding parts, service, and warranties can be answered by visiting the Customer Support Section of our website:
www.tv.toshiba.com

Contact Toshiba Customer Support Center
(855) 527-2411 from the United States and Canada
01 800 926-3080 Mexico Market

HDMI®

The terms HDMI and HDMI High-Definition Multimedia Interface and the HDMI Logo are trademarks or registered trademarks of HDMI Licensing LLC in the United States and other countries. All other brand and product names are trademarks or registered trademarks of their respective companies.

Chromecast is a trademark of Google Inc.

U.S. and Canada:
Distributed and warranted by Best Buy Purchasing, LLC
7601 Penn Ave South, Richfield, MN 55423 U.S.A.

Mexico:
Best Buy Imports S. DE R.L. DE C.V.
Avenida Santa Fe No. 440 Piso 2 Ofna 202 Y 203 P3 Y P4
Colonia Santa Fe Cuajimalpa, C.P. 05348,
Delegación Cuajimalpa De Morelos,
Mexico, Ciudad De México

©2017 Best Buy. All rights reserved.
Made in China